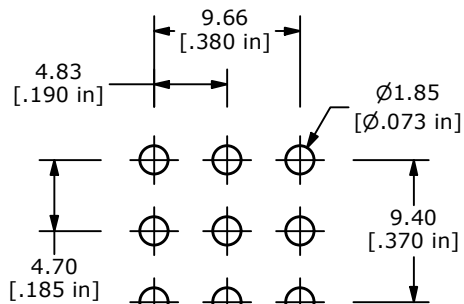
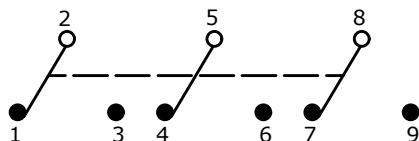


▲ SWITCH FUNCTION		
POS. 1	POS. 2	POS. 3
ON	NONE	ON
2-3, 5-6, 8-9	N/A	2-15-4, 8-7

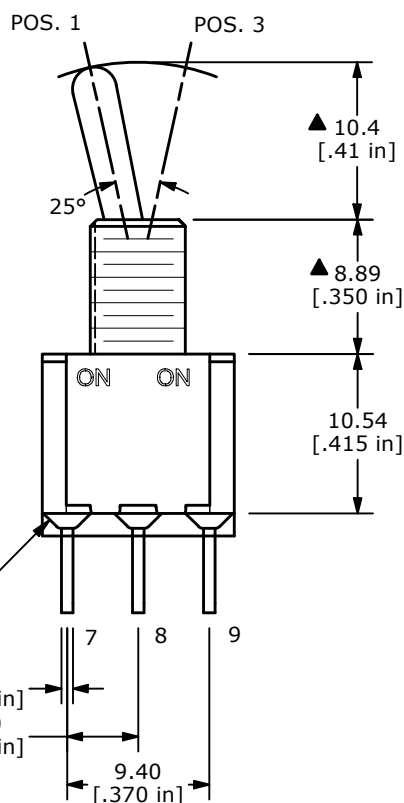


RECOMMENDED PCB LAYOUT

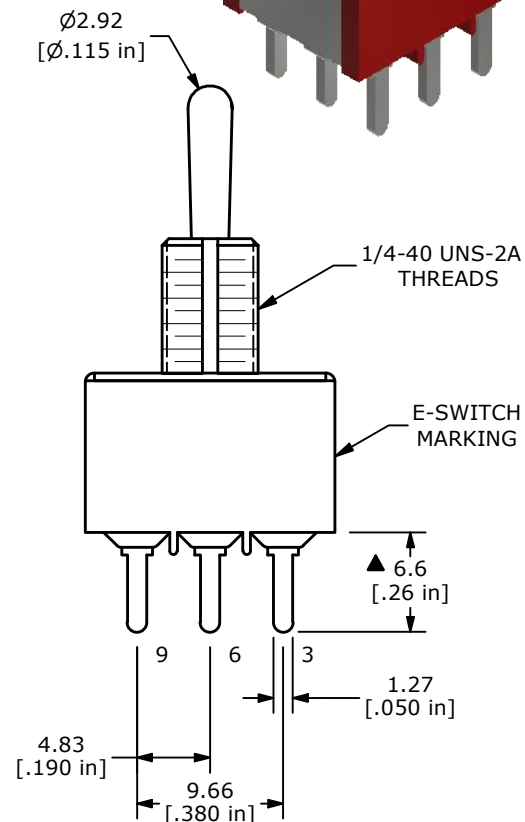


NOTE:

1. ALL DIMENSIONS IN MM [INCH]
2. GENERAL TOLERANCE: X.X=±0.4  
X.XX=±0.25
3. TERMINAL NUMBERS FOR REF ONLY
- ▲ 4. CONTACT MATERIAL: GOLD
5. RATING: 0.4 VOLT-AMPS (VA) MAX. @ 20V MAX. (AC OR DC)
6. ELECTRIC LIFE: 6,000 MAKE-AND-BREAK CYCLES AT FULL LOAD.
7. INSULATION RESISTANCE: 1,000 MEGA-OHM MIN.
8. DIELECTRIC STRENGTH: 1,000 V RMS @SEA LEVEL.
9. OPERATING TEMP.: -40°C to 85°C
10. ▲ DENOTES CRITICAL PARAMETER.



EPOXY SEAL



E-SWITCH MARKING

REV	ECO NO	DESCRIPTION	DATE	BY
A	ECO-101824	NEW RELEASE	04/19/23	MR



OBJECT ID  
100124155

TITLE 1003P1T1B1M2RE		SCALE 2:1	DATE 4/18/2023	DR MJR	DWG T131059	REV A
-------------------------	--	--------------	-------------------	-----------	----------------	----------