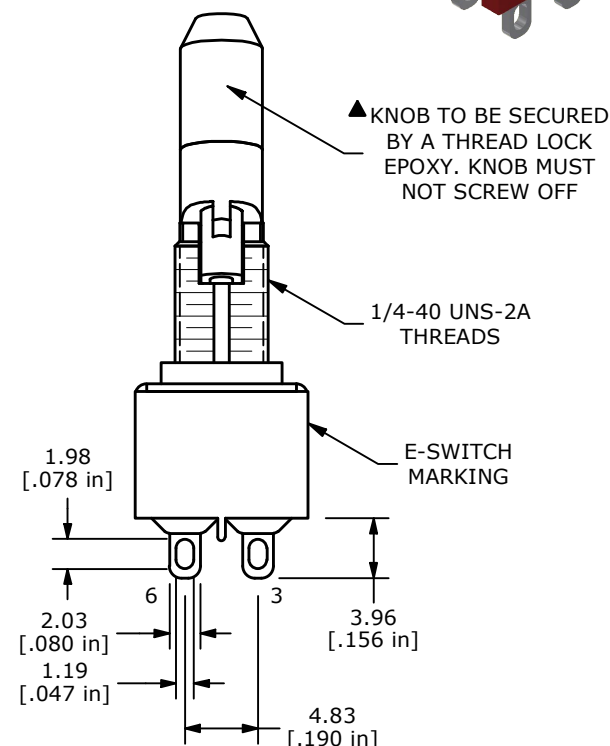
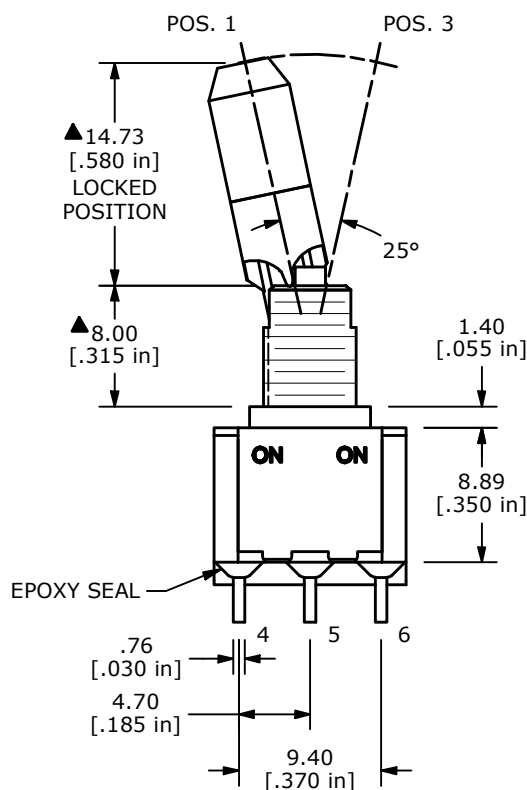
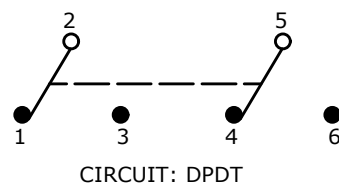


▲ SWITCH FUNCTION		
POS. 1	POS. 2	POS. 3
ON	NONE	ON
2-3, 5-6	N/A	2-1, 5-4



- NOTE:
- ALL DIMENSIONS IN MM [INCH]
 - GENERAL TOLERANCE: X.X=±0.4
X.XX=±0.25
 - TERMINAL NUMBERS FOR REF ONLY
 - CONTACT MATERIAL: SILVER
 - RATING: 2A @250VAC
5A @120VAC OR 28VDC
 - ELECTRIC LIFE: 6,000 MAKE-AND-BREAK CYCLES AT FULL LOAD.
 - INSULATION RESISTANCE: 1,000 MEGA-OHM MIN.
 - DIELECTRIC STRENGTH: 1,000 V RMS @SEA LEVEL.
 - OPERATING TEMP.: -40°C TO 85°C
 - ▲ DENOTES CRITICAL PARAMETER.
 - HARDWARE INCLUDED
T100011 - LOCK WASHER - QTY 1
T100015 - LOCK RING - QTY 1
T100000 - HEX NUT - QTY 2

REV	ECO NO	DESCRIPTION	DATE	BY
C	ECO-102415	100 SERIES UPDATE	04/23/24	MR



OBJECT ID
000023091

TITLE 100DP1K2B25M1QEH				
SCALE 2:1	DATE 5/22/2006	DR CT	DWG ST116006	REV C