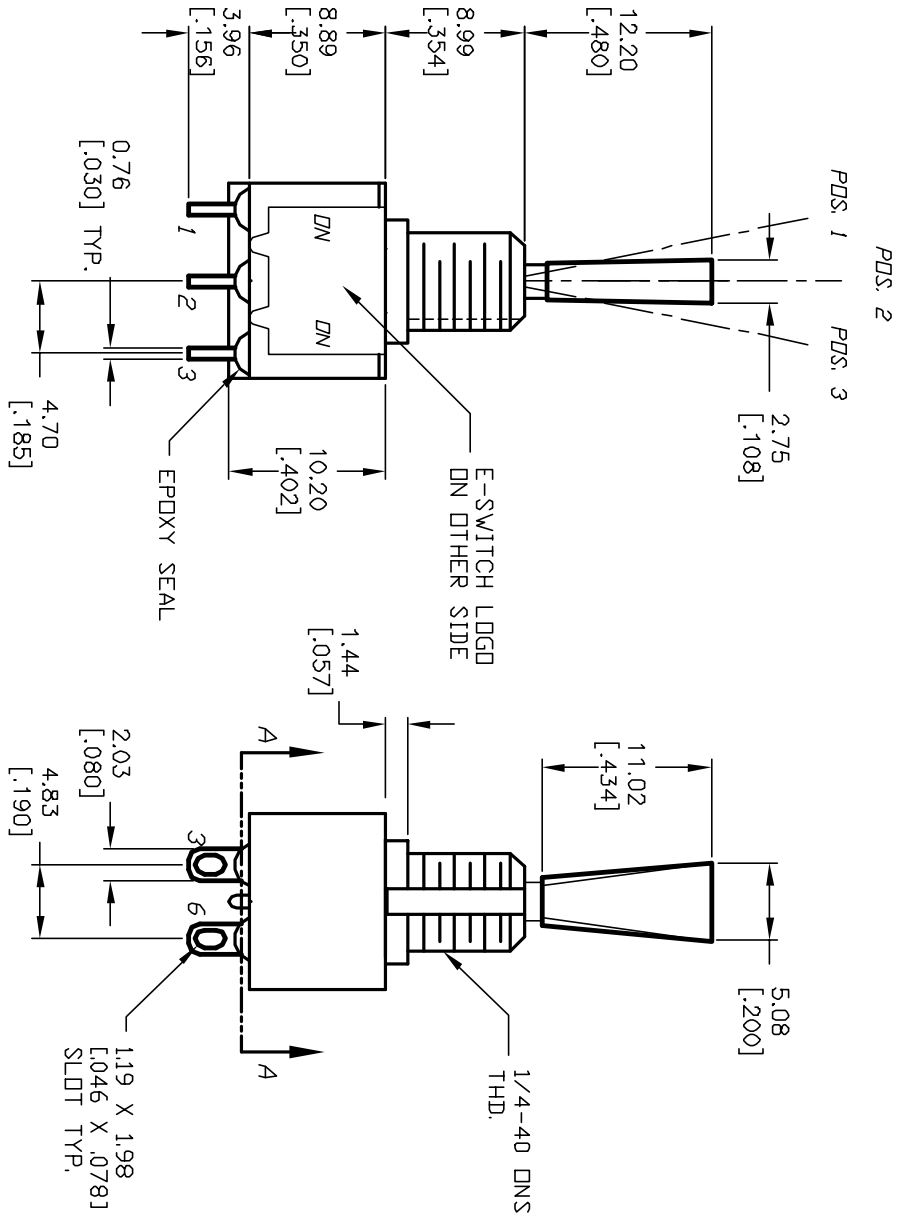
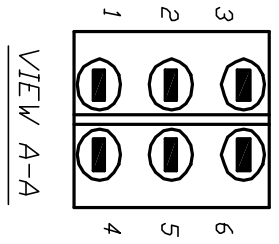
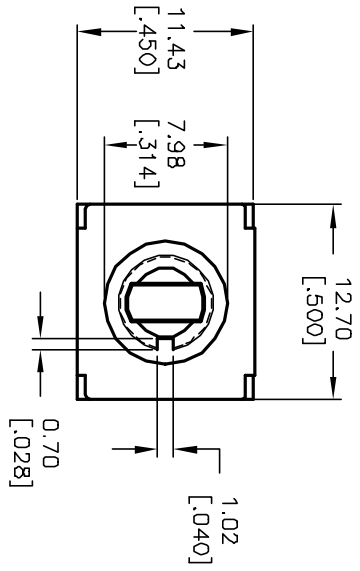


SWITCH FUNCTION		
POS. 1	POS. 2	POS. 3
DN	NONE	<DN>
2-3,5-6	DPEN	2-1,5-4

()=Momentary



NOTES:

1. ALL DIMENSIONS IN MM [INCH]
2. GENERAL TOLERANCE: X.X=±0.4
X.XX=±0.25
3. TERM. NDS. FOR REF. ONLY
4. RATING: 5A @120VAC OR 28VDC;
2A @250VAC
5. FIXED TERM. & MOVING CONTACT:
Copper Alloy w/Silver Plate.
6. ELECTRICAL LIFE: 50,000 make-and-break
cycles at full load.
7. INSULATION RESISTANCE: 1,000M ohm min.
8. DIELECTRIC STRENGTH: 1000V RMS @sea level
9. OPERATING TEMP.: -30°C to 85°C
10. SUPPLIED HARDWARE- HEX NUT (2) LOCK RING,
AND LOCK WASHER.

REV.	ECN No.	DESCRIPTION	DATE	CHKD
A	11596	RELEASED FOR PRODUCTION	8/3/01	CJB

TITLE	SCALE	DATE	DR	DWG	REV
100 DP-2 T6 B11 M1 Q E	2:1	8/3/01	CJB	T122011	A

E-SWITCH®

THE INFORMATION CONTAINED IN THIS DOCUMENT IS PROPRIETARY TO E-SWITCH AND IS NOT TO BE COPIED OR TRANSMITTED