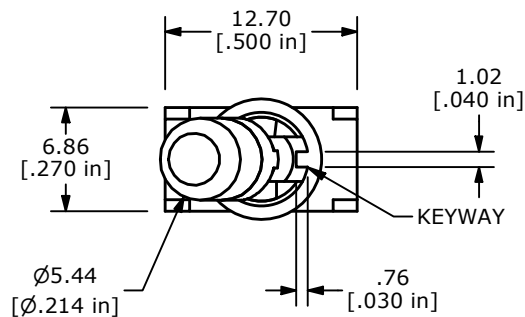
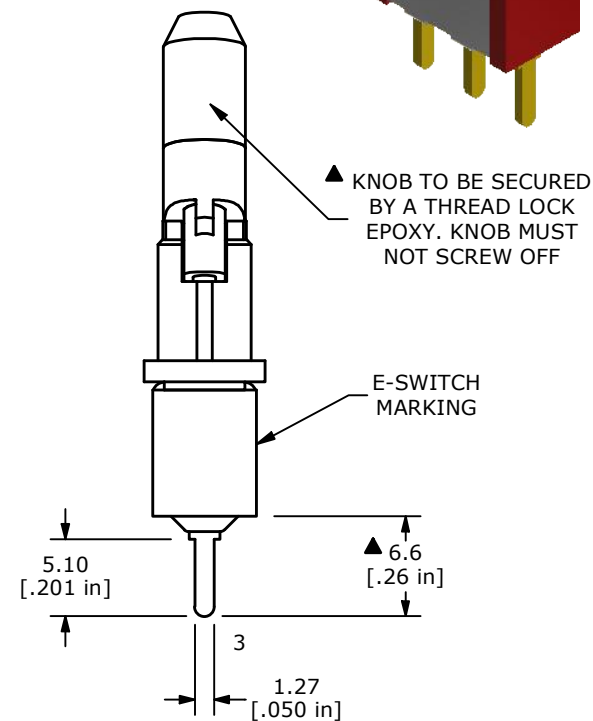
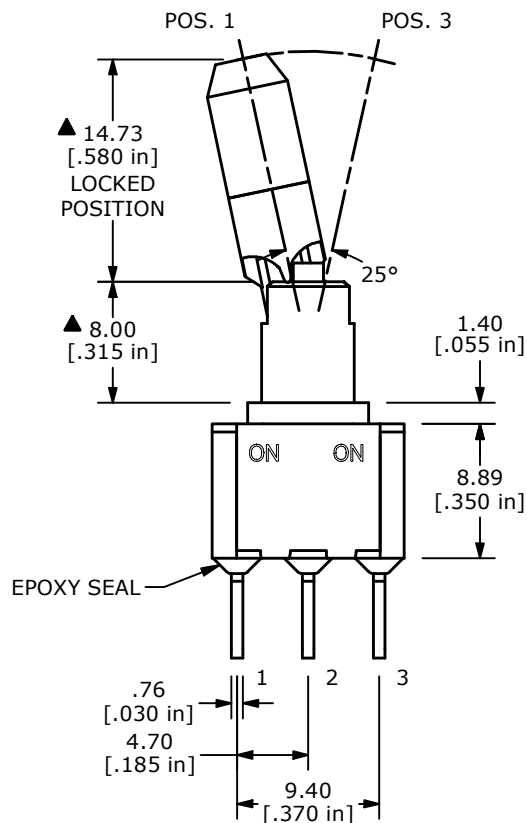
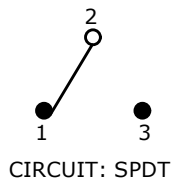


RECOMMENDED PCB LAYOUT



▲ SWITCH FUNCTION		
POS. 1	POS. 2	POS. 3
ON	NONE	ON
2-3	N/A	2-1



- NOTE:
1. ALL DIMENSIONS IN MM [INCH]
 2. GENERAL TOLERANCE: X.X=±0.4
X.XX=±0.25
 3. TERMINAL NUMBERS FOR REF ONLY
 - ▲ 4. CONTACT MATERIAL: GOLD
 5. RATING: 0.4 VOLT-AMPS (VA) MAX. @ 20V MAX. (AC OR DC)
 6. ELECTRIC LIFE: 40,000 MAKE-AND-BREAK CYCLES AT FULL LOAD.
 7. INSULATION RESISTANCE: 1,000 MEGA-OHM MIN.
 8. DIELECTRIC STRENGTH: 1,000 V RMS @SEA LEVEL.
 9. OPERATING TEMP.: -40°C TO 85°C
 10. ▲ DENOTES CRITICAL PARAMETER.
 - ▲ 11. PACKAGE: TRAY/ 36 PIECES PER

REV	ECO NO	DESCRIPTION	DATE	BY	E-SWITCH®			OBJECT ID	
A	ECO-101771	NEW RELEASE	03/28/23	MR				100123993	
					TITLE 100SP1K2B26M2RE				
					SCALE 2:1	DATE 3/27/2023	DR MJR	DWG T116017	REV A

THE INFORMATION CONTAINED IN THIS DOCUMENT IS PROPRIETARY TO E-SWITCH AND IS NOT TO BE COPIED OR TRANSFERRED