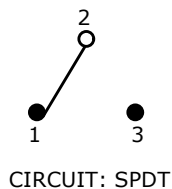
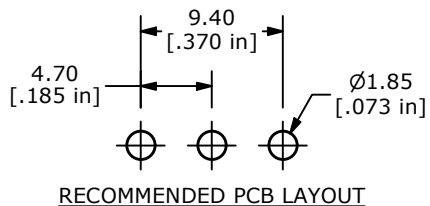
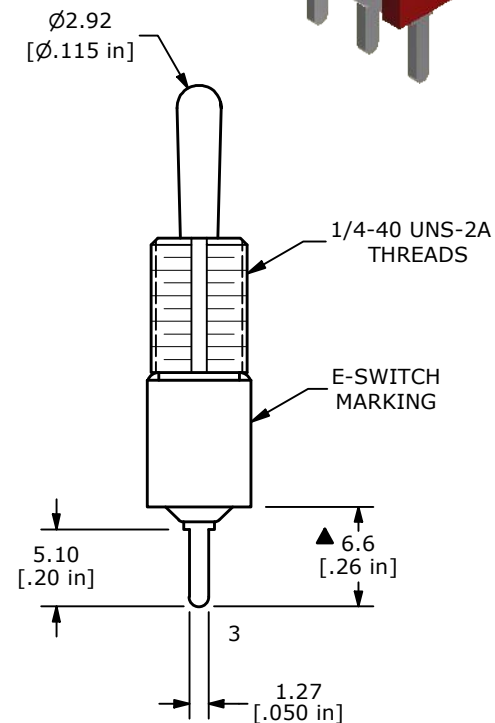
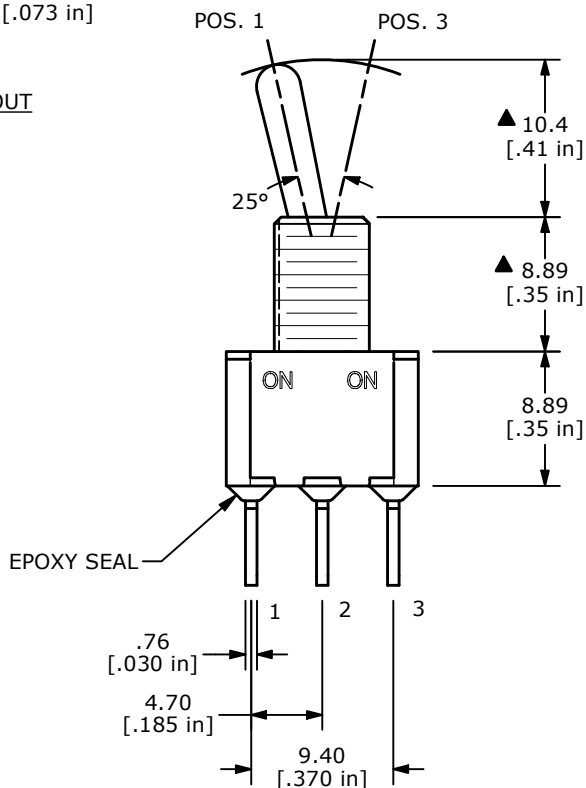


▲ SWITCH FUNCTION		
POS. 1	POS. 2	POS. 3
ON	NONE	ON
2-3	N/A	2-1



- NOTE:
- ALL DIMENSIONS IN MM [INCH]
 - GENERAL TOLERANCE: X.X = ±0.4
X.XX = ±0.25
 - TERMINAL NUMBERS FOR REF ONLY
 - PLATING MATERIAL: SILVER
 - RATING: 2A @ 250 VAC
5A @ 120 VAC OR 28 VDC
 - ELECTRIC LIFE: 6,000 MAKE-AND-BREAK CYCLES AT FULL LOAD.
 - INSULATION RESISTANCE: 1,000 MEGA-OHM MIN.
 - DIELECTRIC STRENGTH: 1,000 V RMS @ SEA LEVEL
 - OPERATING TEMP.: -40°C TO 85°C
 - ▲ DENOTES CRITICAL PARAMETER.
 - HARDWARE TO BE SHIPPED BULK
T100011 - LOCK WASHER - QTY 1
T100015 - LOCK RING - QTY 1
T100000 - HEX NUT - QTY 2



REV	ECO NO	DESCRIPTION	DATE	BY
C	ECO-101718	100 SERIES UPDATE	03/27/23	MR



OBJECT ID
000022886

TITLE 100SP1T1B1M2QE H				
SCALE 2:1	DATE 2/17/2005	DR AR	DWG ST110001	REV C