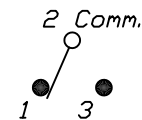
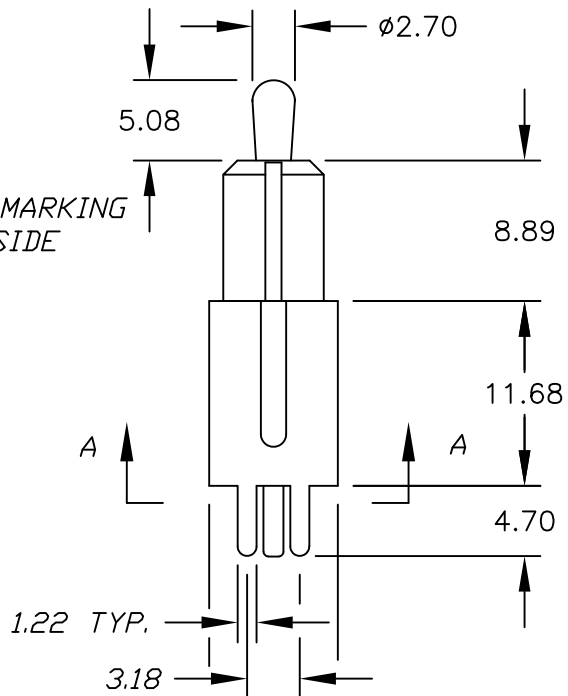
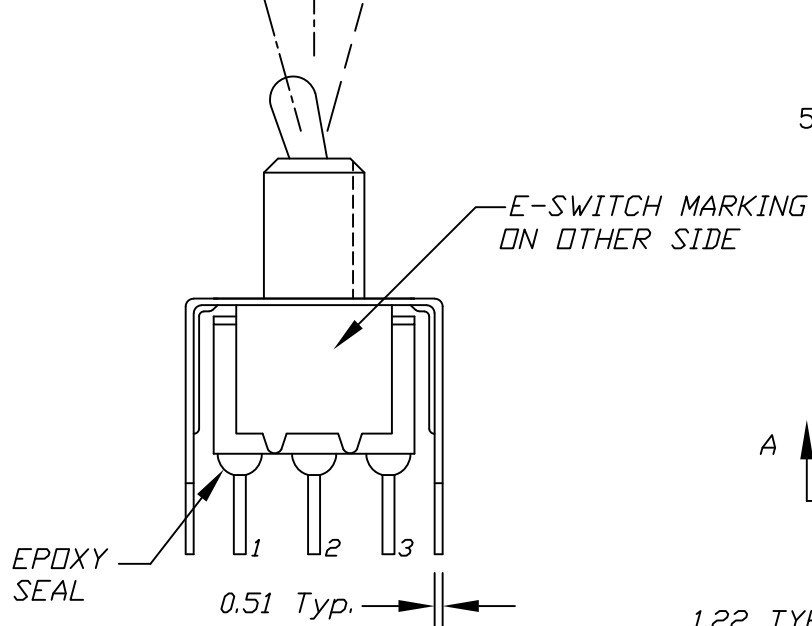
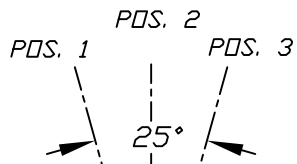


RECOMMENDED P.C.B. LAYOUT



CONTACT CONFIGURATION

SWITCH FUNCTION		
POS. 1	POS. 2	POS. 3
ON	NONE	ON
2-3	OPEN	2-1

NOTES:

1. ALL DIMENSIONS IN MM
2. GENERAL TOLERANCE: X.X=±0.4
X.XX=±0.25
3. TERM. NO. FOR REF ONLY.
4. RATING: 0.4 (VA) @20V MAX.

E-SWITCH®

TITLE					100 SP-1 T2 B2 VS2 R E				
SCALE	DATE	DR	DWG	REV					
2:1	10/09/00	CJB	T110015	A					

A	10993	RELEASED FOR PRODUCTION	10/09/00	CJB
REV.	ECN No.	DESCRIPTION	DATE	CHKD

THE INFORMATION CONTAINED IN THIS DOCUMENT IS PROPRIETARY TO E-SWITCH AND IS NOT TO BE COPIED OR TRANSFERRED