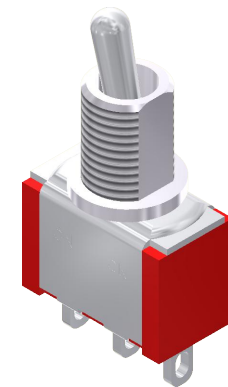
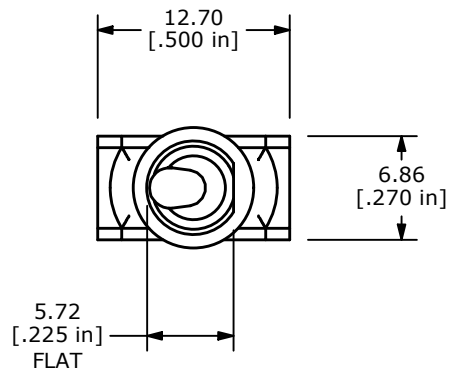
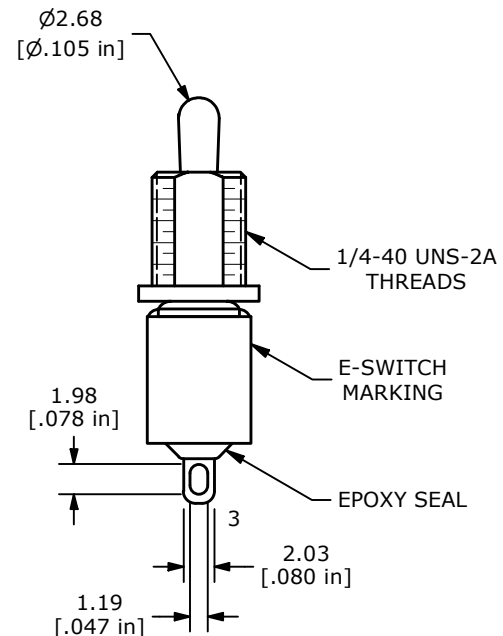
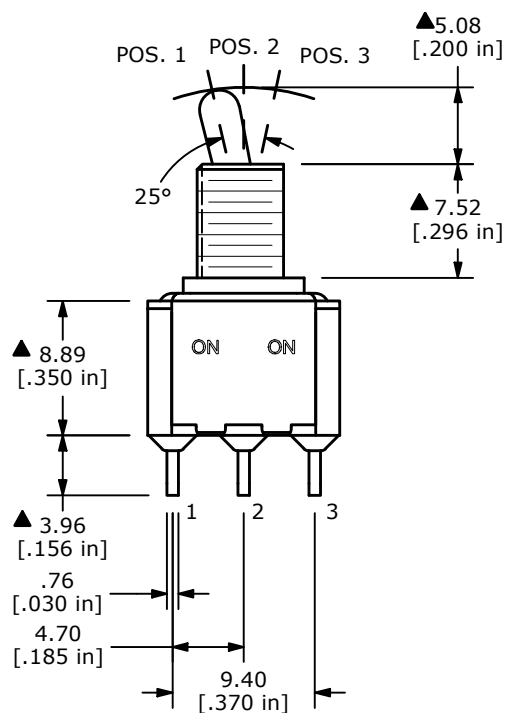
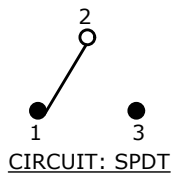


RECOMMENDED PANEL MOUNTING



▲ SWITCH FUNCTION		
POS. 1	POS. 2	POS. 3
ON	NONE	ON
2-3	N/A	2-1



- NOTE:
1. ALL DIMENSIONS IN MM [INCH]
  2. GENERAL TOLERANCE: X.X = ±0.4  
X.XX = ±0.25
  3. TERMINAL NUMBERS FOR REF ONLY
  - ▲ 4. CONTACT MATERIAL: SILVER
  5. RATING: 2A @ 250 VAC  
5A @ 120 VAC OR 28 VDC
  6. ELECTRIC LIFE: 6,000 MAKE-AND-BREAK CYCLES AT FULL LOAD.
  7. INSULATION RESISTANCE: 1,000 MEGA-OHM MIN.
  8. DIELECTRIC STRENGTH: 1,000 V RMS @ SEA LEVEL
  9. OPERATING TEMP.: -40°C TO 85°C
  10. ▲ DENOTES CRITICAL PARAMETER.
  11. HARDWARE TO BE SHIPPED BULK  
T100011 - LOCK WASHER - QTY 1  
T100002 - LOCK RING - QTY 1  
T100000 - HEX NUT - QTY 2

REV	ECO NO	DESCRIPTION	DATE	BY
B	ECO-102116	100 SERIES UPDATE	09/11/23	MR



OBJECT ID  
000022865

TITLE 100SP1T2B5M1QE H				
SCALE 2:1	DATE 6/28/2005	DR JB	DWG ST103014	REV B