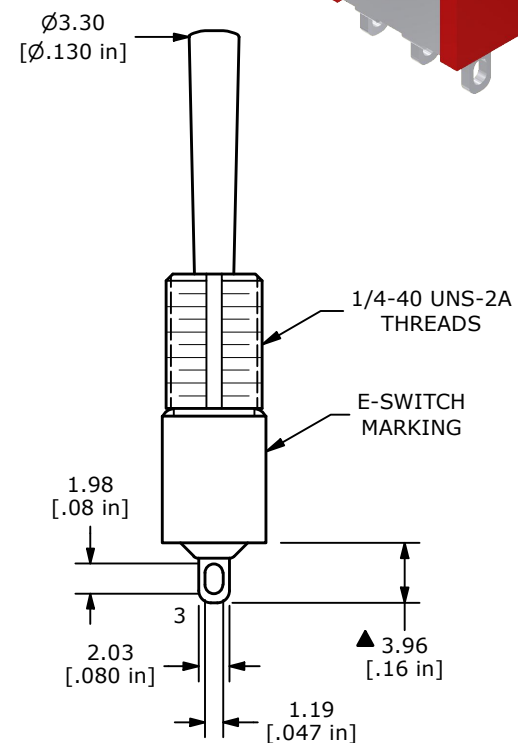
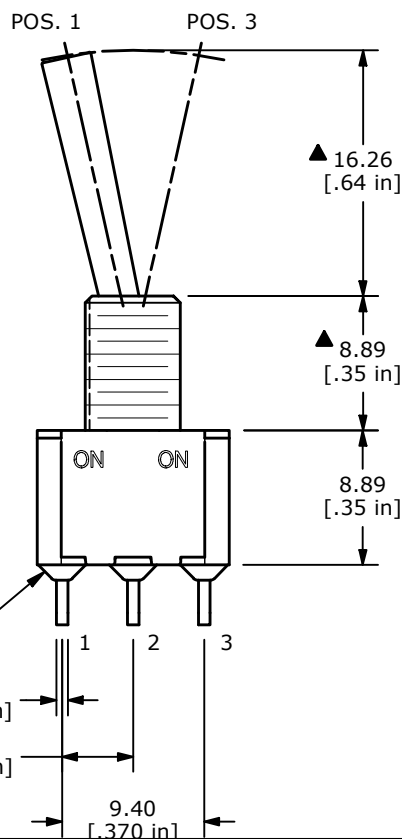
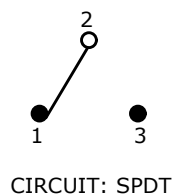


▲ SWITCH FUNCTION		
POS. 1	POS. 2	POS. 3
ON	NONE	ON
2-3	N/A	2-1



NOTE:

- ALL DIMENSIONS IN MM [INCH]
- GENERAL TOLERANCE: X.X = ±0.4
X.XX = ±0.25
- TERMINAL NUMBERS FOR REF ONLY
- ▲ CONTACT MATERIAL: SILVER
- RATING: 2A @ 250 VAC
5A @ 120 VAC OR 28 VDC
- ELECTRIC LIFE: 6,000 MAKE-AND-BREAK CYCLES AT FULL LOAD.
- INSULATION RESISTANCE: 1,000 MEGA-OHM MIN.
- DIELECTRIC STRENGTH: 1,000 V RMS @ SEA LEVEL
- OPERATING TEMP.: -40°C TO 85°C
- ▲ DENOTES CRITICAL PARAMETER.
- HARDWARE TO BE SHIPPED BULK
T100011 - LOCK WASHER - QTY 1
T100015 - LOCK RING - QTY 1
T100000 - HEX NUT - QTY 2

REV	ECO NO	DESCRIPTION	DATE	BY
D	ECO-102119	100 SERIES UPDATE	08/01/23	MR



OBJECT ID
000022949

TITLE 100SP1T4B1M1QE H				
SCALE 2:1	DATE 8/3/2007	DR BF	DWG ST111096	REV D