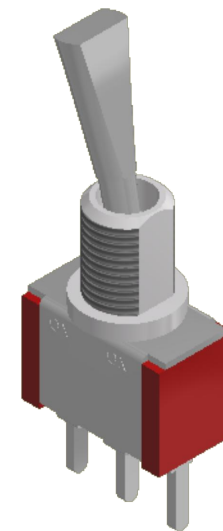
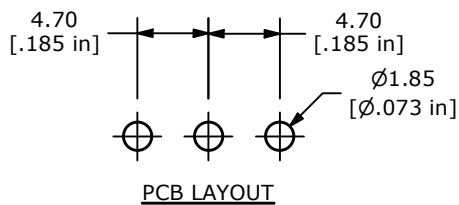


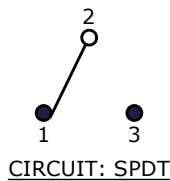
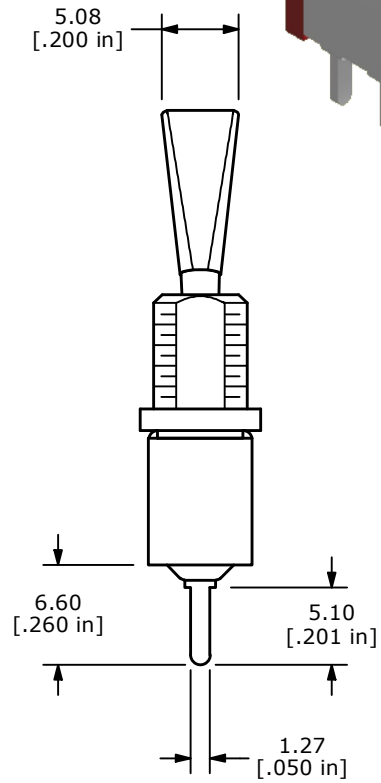
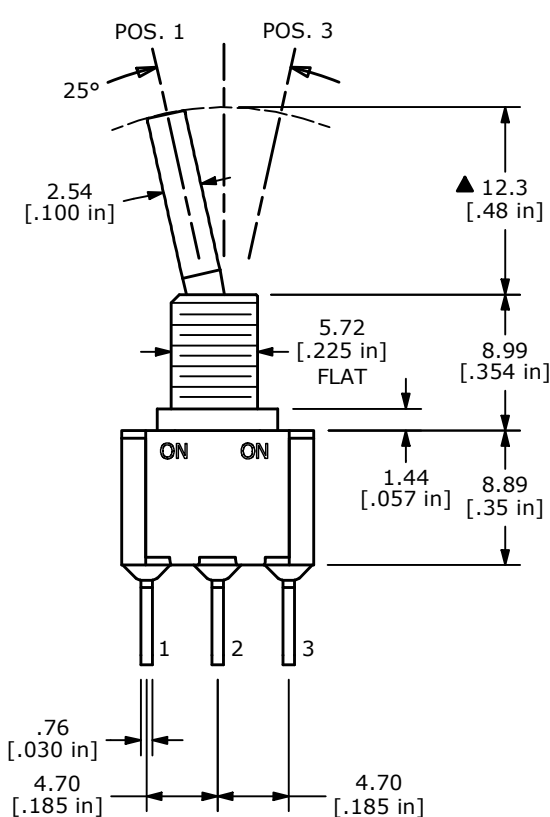
PANEL MOUNTING



| ▲ SWITCH FUNCTION | | |
|-------------------|--------|--------|
| POS. 1 | POS. 2 | POS. 3 |
| | | |
| ON | NONE | ON |
| 2-3 | N/A | 2-1 |




PCB LAYOUT



- NOTE:
- ALL DIMENSIONS IN MM [INCH]
 - GENERAL TOLERANCE: X.X = ±0.4
X.XX = ±0.25
 - TERMINAL NUMBERS FOR REF ONLY
 - ▲ PLATING MATERIAL: SILVER
 - RATING: 5A @ 120 VAC
2A @ 250 VAC
 - ELECTRICAL LIFE: 6,000 MAKE-AND-BREAK CYCLES AT FULL LOAD
 - INSULATION RESISTANCE: 1,000 MΩ MIN.
 - DIELECTRIC STRENGTH: 1,000 V RMS @SEA LEVEL.
 - OPERATING TEMP.: -40°C to 85°C
 - ▲ DENOTES CRITICAL PARAMETER.
 - ▲11. HARDWARE SUPPLIED: T100000 - HEXNUT (2)
T100011 - LOCKWASHER (1)
T100002 - LOCKRING (1)

| REV | ECO NO | DESCRIPTION | DATE | BY |
|-----|------------|--------------|----------|----|
| B | ECO-103469 | Print update | 06/20/25 | MW |



OBJECT ID
000022980

TITLE 100SP1T6B15M2QEH

| | | | | |
|-----------|---------------|-------|--------------|-------|
| SCALE 2:1 | DATE 8/2/2005 | DR RC | DWG ST111609 | REV B |
|-----------|---------------|-------|--------------|-------|