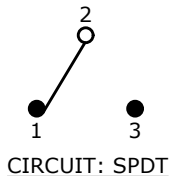
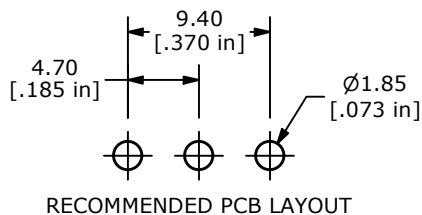


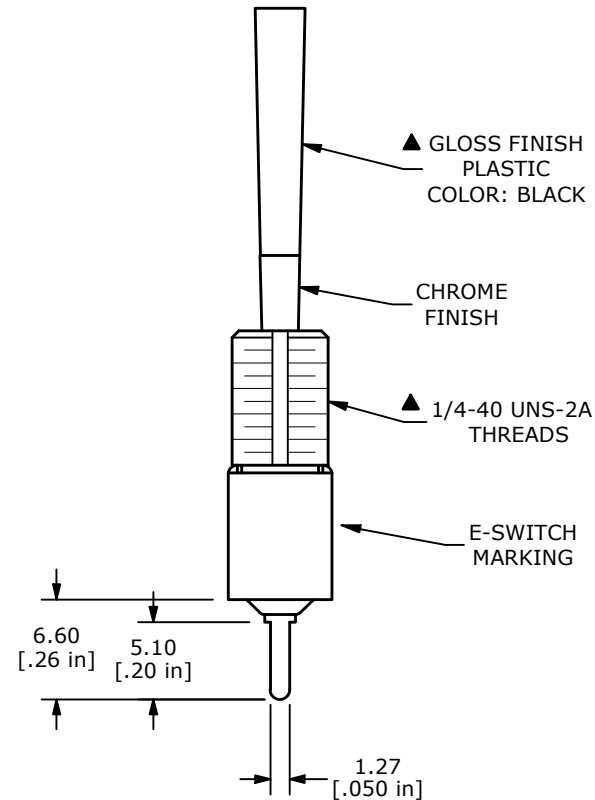
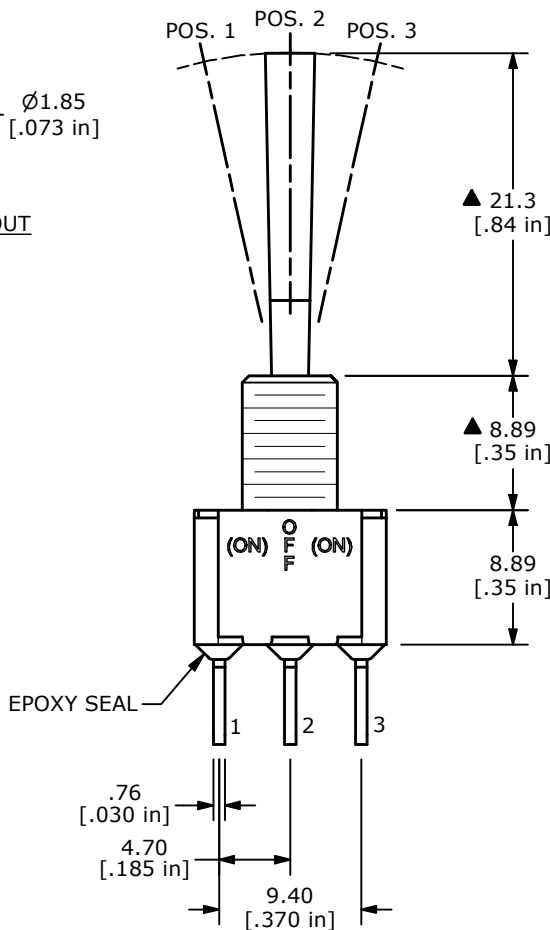
| ▲ SWITCH FUNCTION |        |        |
|-------------------|--------|--------|
| POS. 1            | POS. 2 | POS. 3 |
|                   |        |        |
| (ON)              | OFF    | (ON)   |
| 2-3               | OPEN   | 2-1    |

( ) = DENOTES MOMENTARY



NOTE:

- ALL DIMENSIONS IN MM [INCH]
- GENERAL TOLERANCE: X.X = ±0.4  
X.XX = ±0.25
- TERMINAL NUMBERS FOR REF ONLY
- ▲ PLATING MATERIAL: SILVER
- RATING: 2A @ 250 VAC  
5A @ 120 VAC OR 28 VDC
- ELECTRICAL LIFE: 6,000 MAKE-AND-BREAK CYCLES AT FULL LOAD.
- INSULATION RESISTANCE: 1,000 MEGA-OHM MIN.
- DIELECTRIC STRENGTH: 1,000 V RMS @ SEA LEVEL
- OPERATING TEMP.: -40°C to 85°C
- ▲ DENOTES CRITICAL PARAMETER.
- ▲ 11. HARDWARE SUPPLIED: T100011 - LOCK WASHER (1)  
T100015 - LOCK RING (1)  
T100000 - HEX NUT (2)



| REV | ECO NO     | DESCRIPTION | DATE     | BY |
|-----|------------|-------------|----------|----|
| A   | ECO-103124 | Release     | 12/13/24 | MW |



OBJECT ID  
100129084

|                        |                 |       |              |       |
|------------------------|-----------------|-------|--------------|-------|
| TITLE 100SP4T9B1M2QE H |                 |       |              |       |
| SCALE 2:1              | DATE 12/10/2024 | DR MW | DWG ST114097 | REV A |