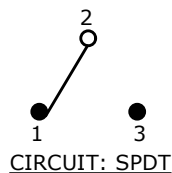
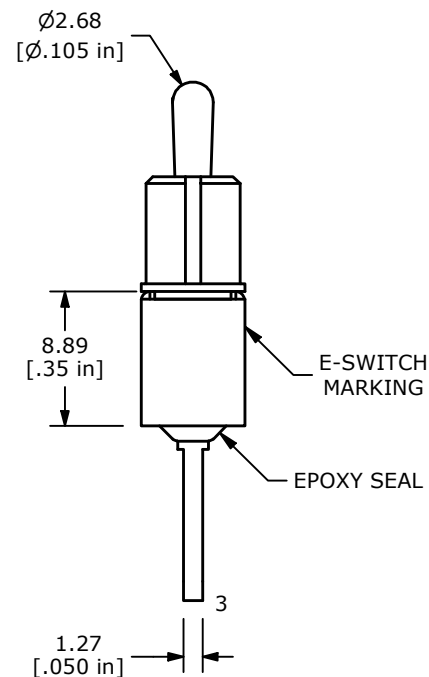
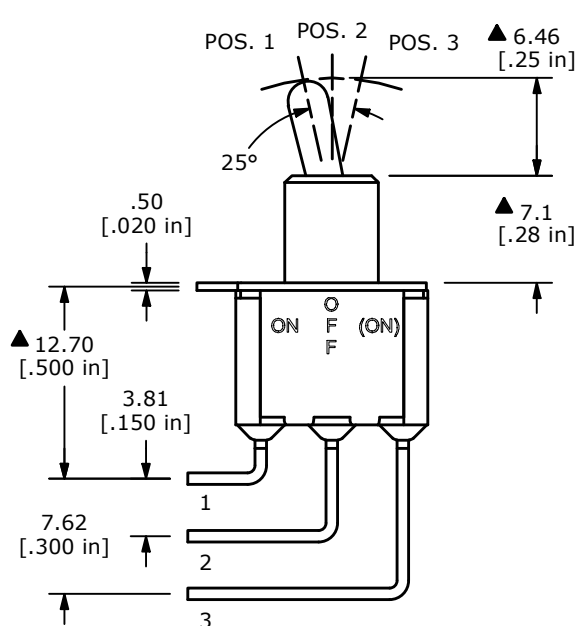


▲ SWITCH FUNCTION		
POS. 1	POS. 2	POS. 3
ON	OFF	(ON)
2-3	OPEN	2-1



() = DENOTES MOMENTARY

- NOTE:**
1. ALL DIMENSIONS IN MM [INCH]
 2. GENERAL TOLERANCE: X.X=±0.4
X.XX=±0.25
 3. TERMINAL NUMBERS FOR REF ONLY
 - ▲ 4. CONTACT MATERIAL: GOLD
 5. RATING: 0.4 VOLT-AMPS (VA) MAX. @ 20V MAX. (AC OR DC)
 6. ELECTRIC LIFE: 6,000 MAKE-AND-BREAK CYCLES AT FULL LOAD.
 7. INSULATION RESISTANCE: 1,000 MEGA-OHM MIN.
 8. DIELECTRIC STRENGTH: 1,000 V RMS @SEA LEVEL.
 9. OPERATING TEMP.: -40°C to 85°C
 10. ▲ DENOTES CRITICAL PARAMETER.



REV	ECO NO	DESCRIPTION	DATE	BY
D	ECO-102111	100 SERIES UPDATE	07/18/23	MR

				OBJECT ID 000024127
TITLE 100SP5T2B4M7RE				
SCALE	DATE	DR	DWG	REV
2:1	6/1/2001	CB	T115016	D