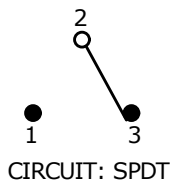
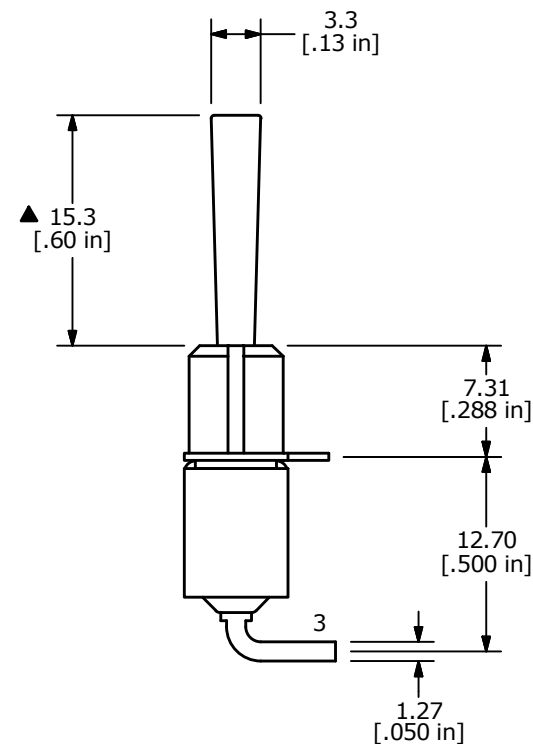
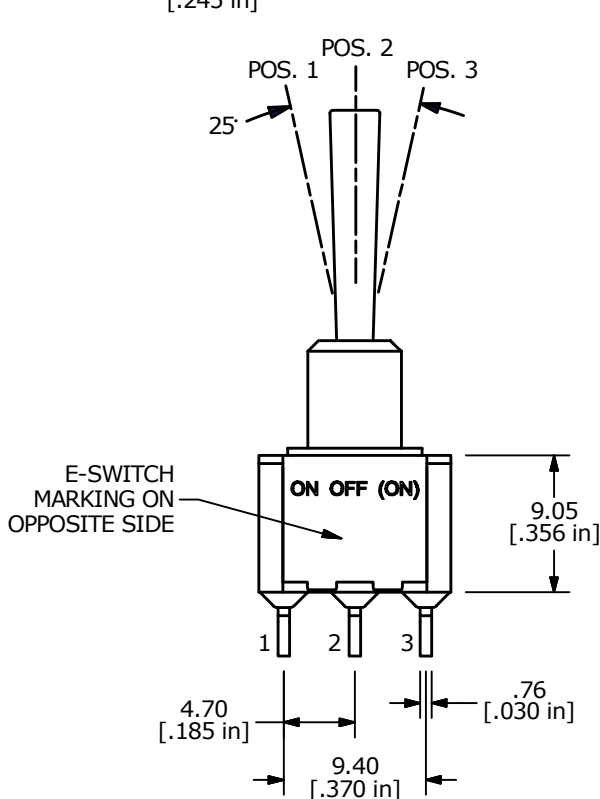


SWITCH FUNCTION		
POS. 1	POS. 2	POS. 3
ON	OFF	(ON)
2-3	OPEN	2-1

(ON) = MOMENTARY



POS. 1 POS. 2 POS. 3



NOTE:

- ALL DIMENSIONS IN MM [INCH]
- GENERAL TOLERANCE: X.X = ±0.4
X.XX = ±0.25
- TERMINAL NUMBERS FOR REF ONLY
- PLATING MATERIAL: GOLD
- RATING: 0.4 VOLT AMPS (VA) MAX @ 20 VOLTS AC OR DC
- ELECTRIC LIFE: 40,000 make-and-break cycles at full load.
- INSULATION RESISTANCE: 1,000 Mega-ohm min.
- DIELECTRIC STRENGTH: 1,000 V RMS @sea level.
- OPERATING TEMP.: -30°C to 85°C
- ▲ DENOTES CRITICAL PARAMETER.



A	23569	RELEASED FOR PRODUCTION	9/19/18	MW
REV	PCR NO	DESCRIPTION	DATE	BY

TITLE 100SP5T3B4M6RE				
SCALE 2:1	DATE 9/19/2018	DR MW	DWG T115049	REV A

THE INFORMATION CONTAINED IN THIS DOCUMENT IS PROPRIETARY TO E-SWITCH AND IS NOT TO BE COPIED OR TRANSFERRED