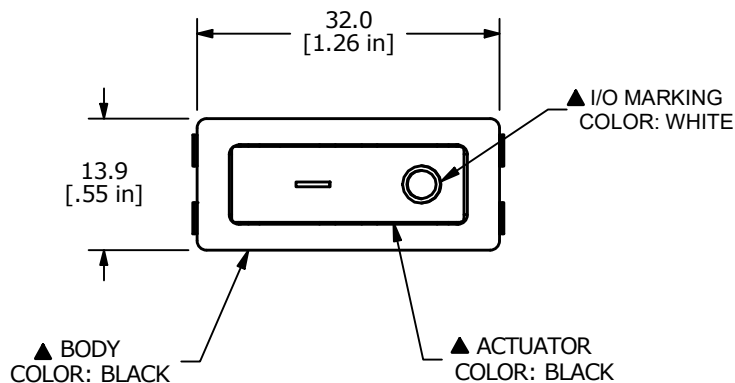
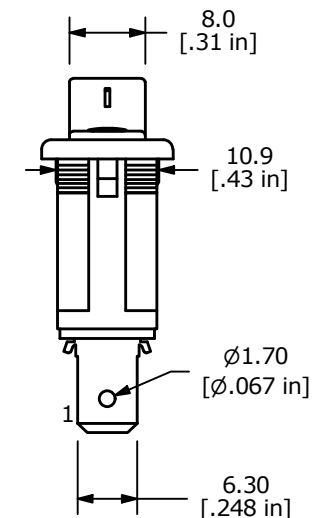
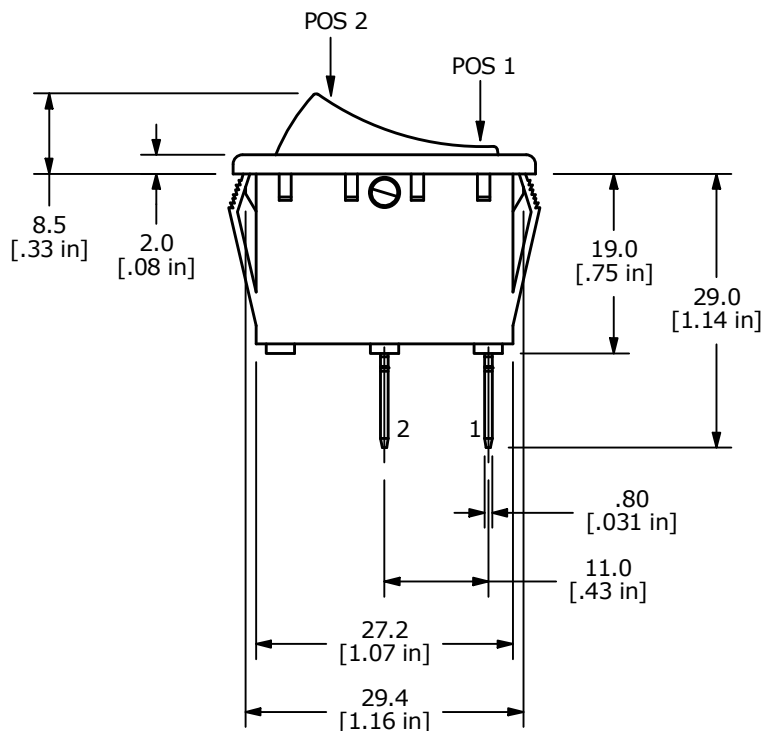
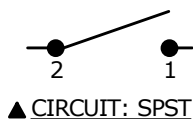


PANEL CUTOUT

PANEL THICKNESS	(x)
0.75 - 1.25	30.0
1.25 - 2.00	30.2
2.00 - 3.00	30.5



SWITCH FUNCTION	
POS. 1	POS. 2
OFF	ON
NONE	2-1



NOTE:

- DIMENSIONS IN MM [INCH]
- GENERAL TOLERANCE: X.X = ± 0.4
X.XX = ± 0.25
- TERMINAL NUMBERS FOR REF ONLY
- CONTACT MATERIAL: SILVER
- CONTACT RATINGS:
ANSI/UL 1054
16 125/250VAC [cURus]
20A 125VAC [cURus]
3/4HP 125/250VAC [cURus]
- CONTACT RESISTANCE: 20mΩ MAX.
- INSULATION RESISTANCE: 100MΩ MIN. @ 500VDC
- DIELECTRIC STRENGTH: 1,000VAC FOR 1 MINUTE
- ELECTRICAL LIFE: 6,000 CYCLES [cURus]
- OPERATING TEMPERATURE: + 65°C [cURus]
- ILLUMINATION VOLTAGE: NON-ILLUMINATED
- ▲ DENOTES CRITICAL PARAMETER

REV	ECO NO	DESCRIPTION	DATE	BY
C	ECO-101201	UPDATE PRINT	12/19/22	JS



OBJECT ID
000000282

TITLE RB141D1121				
SCALE	DATE	DR	DWG	REV
1.25:1	8/5/2009	CAB	14-RB141D1121	C