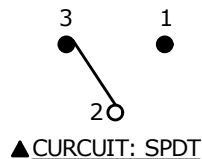
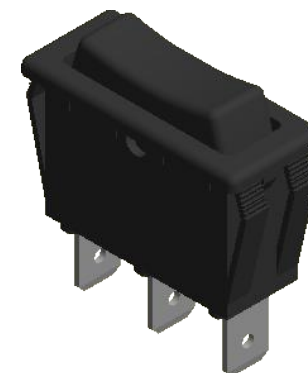
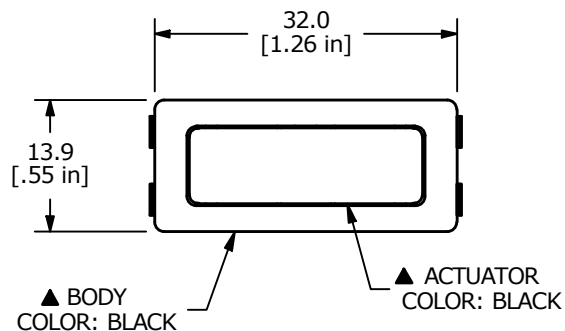
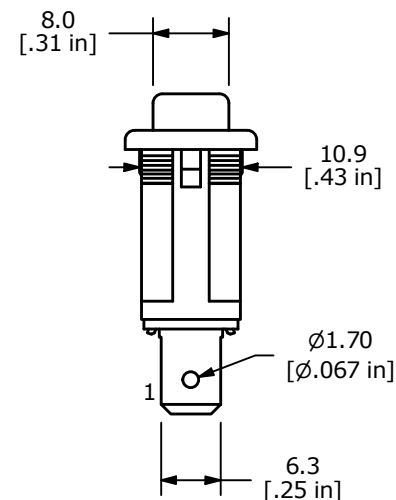
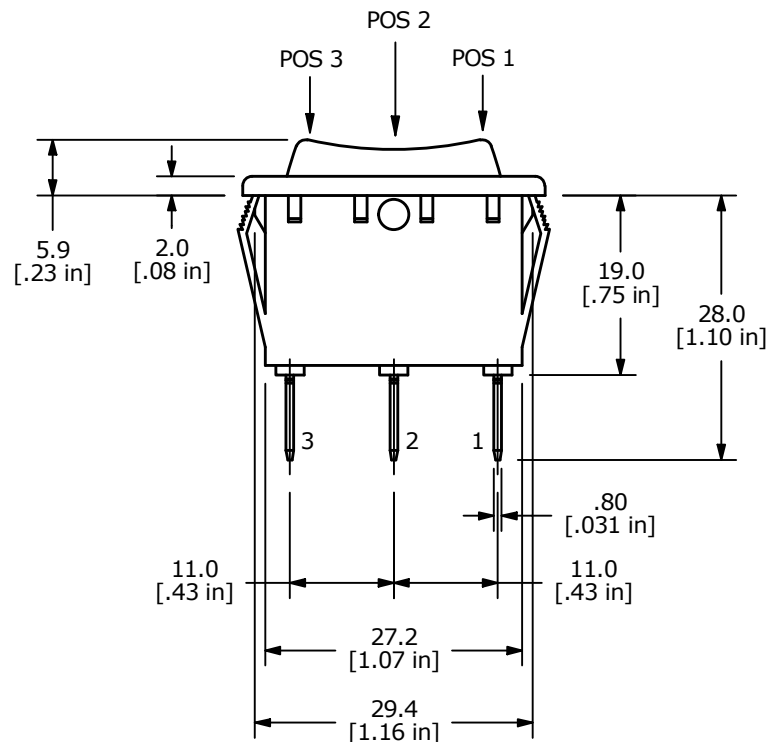


PANEL CUTOUT

PANEL THICKNESS	(x)
0.75 - 1.25	30.0
1.25 - 2.00	30.4
2.00 - 3.00	30.7



SWITCH FUNCTION		
POS. 3	POS. 2	POS. 1
ON	OFF	ON
2,3	2	1,2



- NOTE:
- DIMENSIONS IN MM [INCH]
 - GENERAL TOLERANCE: X.X = ± 0.4
X.XX = ± 0.25
 - TERMINAL NUMBERS FOR REF ONLY
 - CONTACT MATERIAL: SILVER
 - CONTACT RATINGS:
ANSI/UL 1054
16A 125/250VAC [cURus]
20A 125VAC [cURus]
3/4HP 125/250VAC [cURus]
 - CONTACT RESISTANCE: 20mΩ MAX. @ 50VAC INITIAL
 - INSULATION RESISTANCE: 100MΩ MIN. @ 500VDC
 - DIELECTRIC STRENGTH: 1,000VAC FOR 1 MINUTE
 - ELECTRICAL LIFE: 6,000 CYCLES [cURus]
 - OPERATING TEMPERATURE: 0°C to 65°C [cURus]
 - ILLUMINATION VOLTAGE: NON-ILLUMINATED
 - ▲ DENOTES CRITICAL PARAMETER

REV	ECO NO	DESCRIPTION	DATE	BY	E-SWITCH®			OBJECT ID	
C	ECO-101201	UPDATE PRINT	12/19/22	JS	TITLE RB145E1100			000000289	
THE INFORMATION CONTAINED IN THIS DOCUMENT IS PROPRIETARY TO E-SWITCH AND IS NOT TO BE COPIED OR TRANSFERRED					SCALE	DATE	DR	DWG	REV
					1:1	10/1/2010	CAB	14-RB145E1100	C