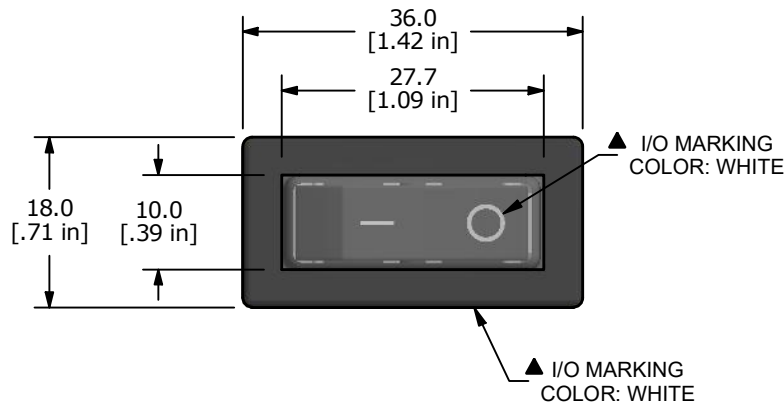
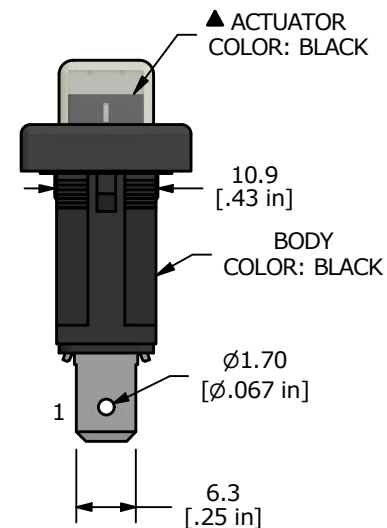
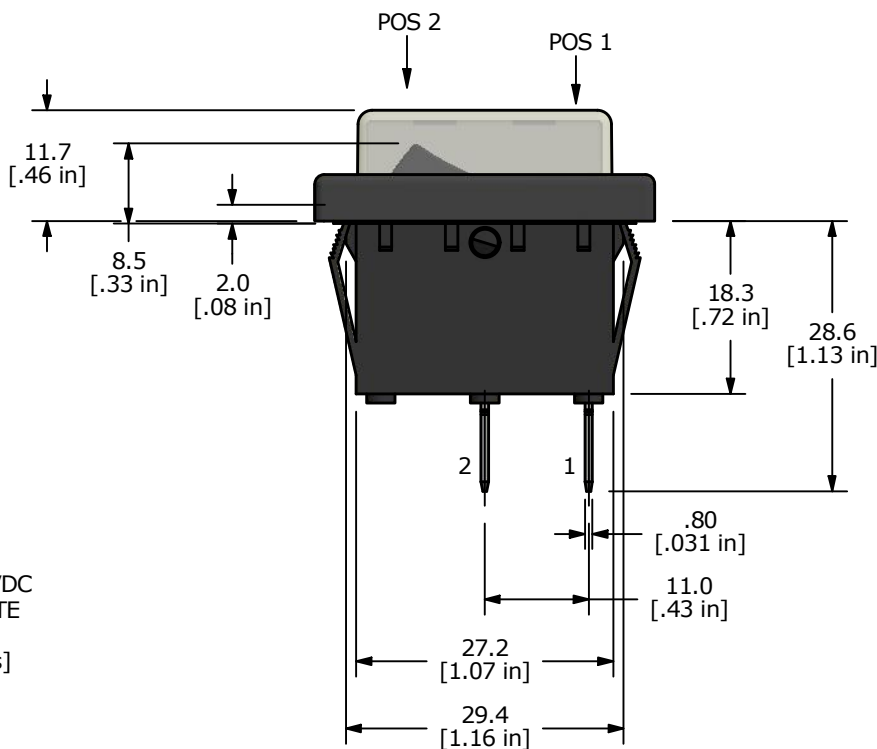
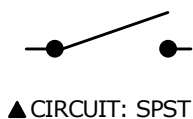


PANEL CUTOUT

PANEL THICKNESS	(x)
0.75 - 1.25	30.2
1.25 - 2.00	30.5



SWITCH FUNCTION	
POS. 2	POS. 1
ON	OFF
2-1	OPEN



- NOTE:
- DIMENSIONS IN MM [INCH]
 - GENERAL TOLERANCE: X.X = ± 0.4
X.XX = ± 0.25
 - TERMINAL NUMBERS FOR REF ONLY
 - CONTACT MATERIAL: SILVER
 - CONTACT RATINGS: ANSI/UL 61058-1
16A @ 125/250VAC [cURus]
20A @ 250VAC [cURus]
3/4HP 125/250V~T105 [cURus]
 - CONTACT RESISTANCE: 20mΩ MAX.
 - INSULATION RESISTANCE: 100MΩ MIN. @ 500VDC
 - DIELECTRIC STRENGTH: 1,000VAC FOR 1 MINUTE
 - ELECTRICAL LIFE: 10,000 CYCLES [cURus]
 - OPERATING TEMPERATURE: 0°C to 65°C [cURus]
 - ILLUMINATION VOLTAGE: NON-ILLUMINATED
 - ▲ DENOTES CRITICAL PARAMETER

REV	ECO NO	DESCRIPTION	DATE	BY	E-SWITCH®				OBJECT ID
C	ECO-101389	UPDATE PRINT	01/05/23	JS	TITLE RB141D1121/ACC-F01-1				000000297
THE INFORMATION CONTAINED IN THIS DOCUMENT IS PROPRIETARY TO E-SWITCH AND IS NOT TO BE COPIED OR TRANSFERRED					SCALE	DATE	DR	DWG	REV
					1:1	9/6/2005	CAB	14-RB1S00090	C