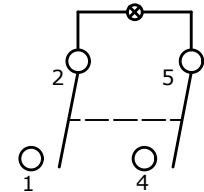


PANEL CUTOUT

PANEL THICKNESS	(x)
0.75 - 1.25	30.0
1.25 - 2.00	30.2
2.00 - 3.00	30.5

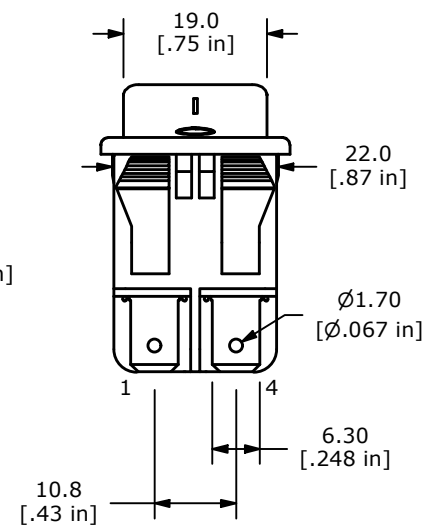
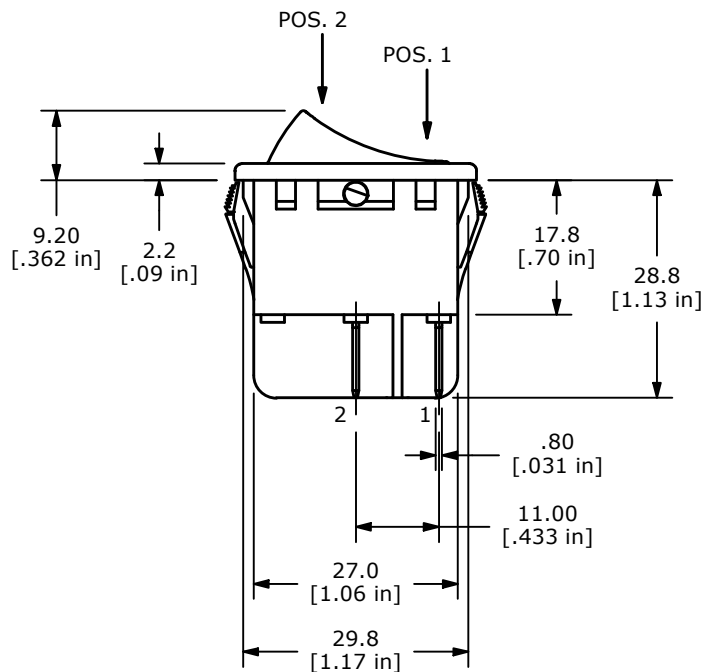
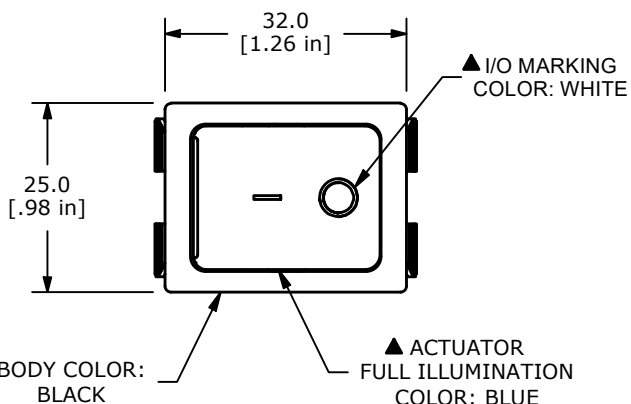
SWITCH FUNCTION	
POS. 1	POS. 2
OFF	ON
OPEN	2-1, 5-4



▲ CIRCUIT: DPST
OFF - ON

NOTE:

1. DIMENSIONS IN MM [INCH]
2. GENERAL TOLERANCE: X.X = ± 0.4
X.XX = ± 0.25
3. TERMINAL NUMBERS FOR REF ONLY
4. CONTACT MATERIAL: SILVER
- ▲ 5. CONTACT RATINGS: ANSI/UL 61058-1
16A @ 125/250VAC [cURus]
20A @ 125VAC [cURus]
1/3HP 125/250VAC [cURus]
3/4HP 125/250VAC [cURus]
6. CONTACT RESISTANCE: 20mΩ MAX. INITIAL
7. INSULATION RESISTANCE: 100MΩ MIN. @ 500VDC
8. DIELECTRIC STRENGTH: 1,000VAC FOR 1 MINUTE
9. ELECTRICAL LIFE: 6,000 CYCLES [cURus]
10. OPERATING TEMPERATURE: 0°C TO 65°C
11. ▲ DENOTES CRITICAL PARAMETER
- ▲ 12. ILLUMINATION: 250V



REV	ECO NO	DESCRIPTION	DATE	BY
E	ECO-102065	ACTUATOR DIM 19.0 WAS 19.2	07/12/23	MR



OBJECT ID
000000304

TITLE RB242D1021-147				
SCALE 1:1	DATE 12/21/2011	DR BGL	DWG 14-RB242D1021147	REV E