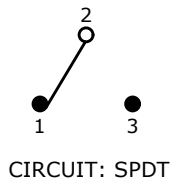
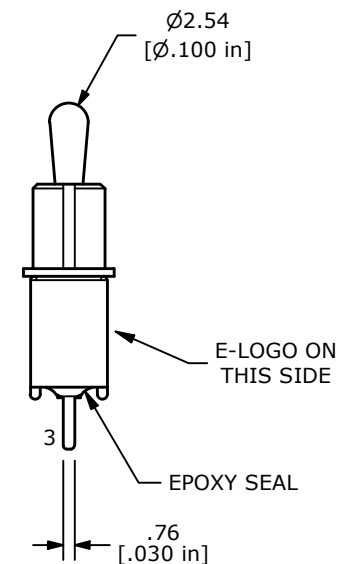
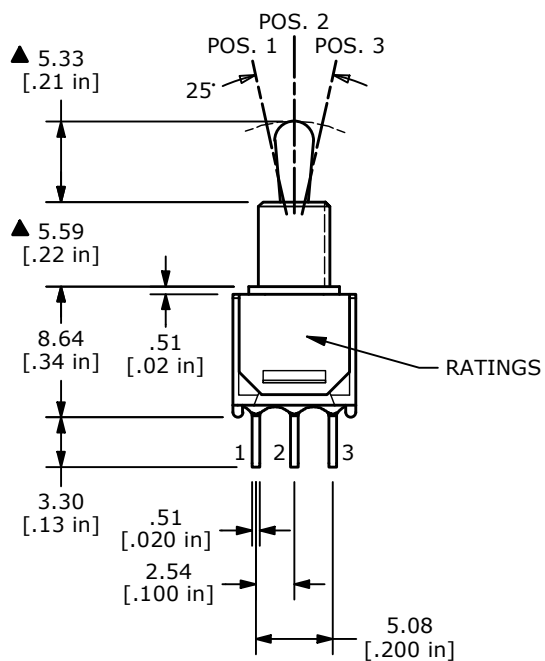


▲ SWITCH FUNCTION		
POS. 1	POS. 2	POS. 3
(ON)	OFF	(ON)
2-3	OPEN	2-1



() = MOMENTARY



NOTE:

1. ALL DIMENSIONS IN MM [INCH]
2. GENERAL TOLERANCE: X.X = ±0.4
X.XX = ±0.25
3. TERMINAL NUMBERS FOR REF ONLY
- ▲ 4. CONTACTS AND TERMINALS: GOLD PLATED
5. RATING: .4VA @ 20VAC MAX. (AC or DC)
6. ELECTRICAL LIFE: 30,000 MAKE-AND-BREAK CYCLES
7. INSULATION RESISTANCE: 1,000 MEGA-OHM MIN.
8. DIELECTRIC STRENGTH: 1,000 V RMS @ SEA LEVEL
9. OPERATING TEMP.: -40°C to 85°C
10. ▲ DENOTES CRITICAL PARAMETER.

REV	ECO NO	DESCRIPTION	DATE	BY		OBJECT ID
C	ECO-102051	update print	06/28/23	MW		000024650
					TITLE	200MSP4T2B4M2RE
					SCALE	2:1
					DATE	9/1/2000
					DR	PML
					DWG	T211063
					REV	C