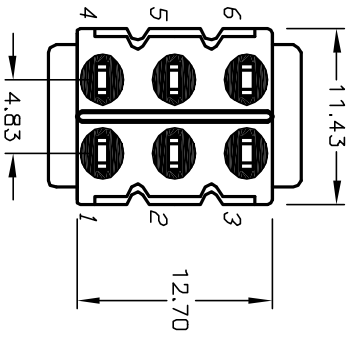
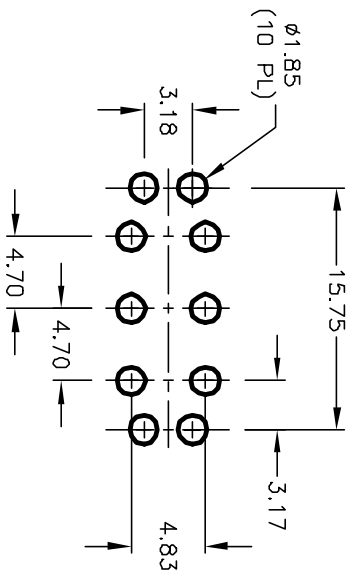


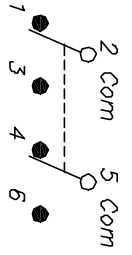
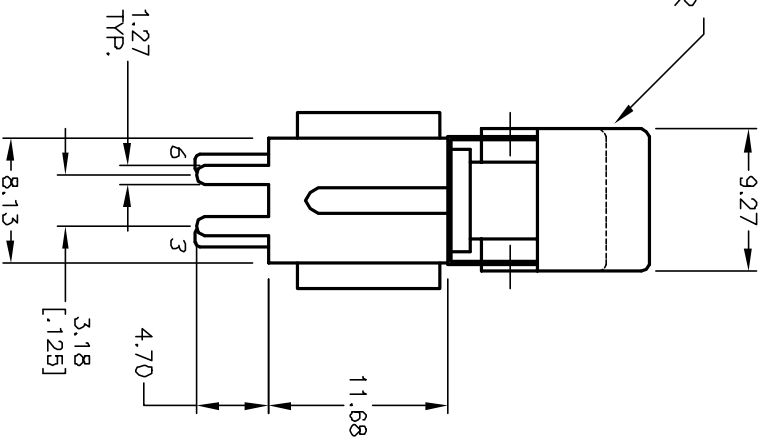
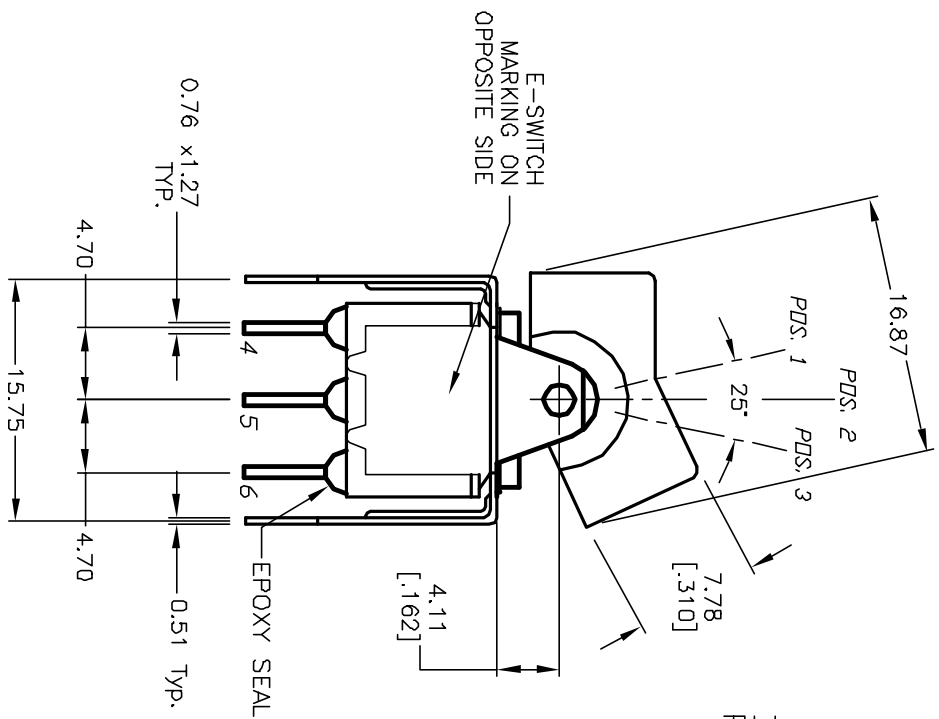
MARKING AS SHOWN



BOTTOM VIEW  
BRACKET CROPPED  
FOR CLARITY



RECOMMENDED PANEL MOUNTING



CIRCUIT: DPDT

SWITCH FUNCTION		
POS. 1	POS. 2	POS. 3
DN	NONE	DN
2-3,5-6	OPEN	2-1,5-4

NOTES:

1. ALL DIMENSIONS IN MM
2. GENERAL TOLERANCE: X.X=±0.4  
X.XX=±0.25
3. TERM. NOS. FOR REF. ONLY
4. RATING: 0.4V @20V AC or DC max.
5. MATERIAL: FIXED TERMINAL & MOVING CONTACT  
Copper Alloy w/GOLD Plate over  
Nickel plate.
6. CONTACT RESISTANCE: 10mILLI Ohms max initial  
@2-4VDC, 100mA for AG & AU
7. ELECTRICAL LIFE: 50,000 make-and-break  
cycles at full load.
8. INSULATION RESISTANCE: 1,000M ohm min.
9. DIELECTRIC STRENGTH: 1000V RMS @sea level
10. OPERATING TEMP.: -30°C to 85°C

**E-SWITCH®**

TITLE		300 DP-1 J1 BLK(D/I)VS2 RE (GOLD CONTACTS)	
REV.	ECN No.	DATE	CHKD
C	12056	4/11/02	CB
REVISION AND REDRAWN		DATE	CHKD
DESCRIPTION		DATE	CHKD
THE INFORMATION CONTAINED IN THIS DOCUMENT IS PROPRIETARY TO E-SWITCH AND IS NOT TO BE COPIED OR TRANSMITTED			
SCALE	DATE	DR	DWG
2:1	4/11/02	CB	T321051
REV	C		