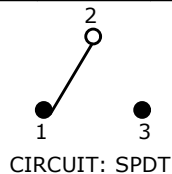
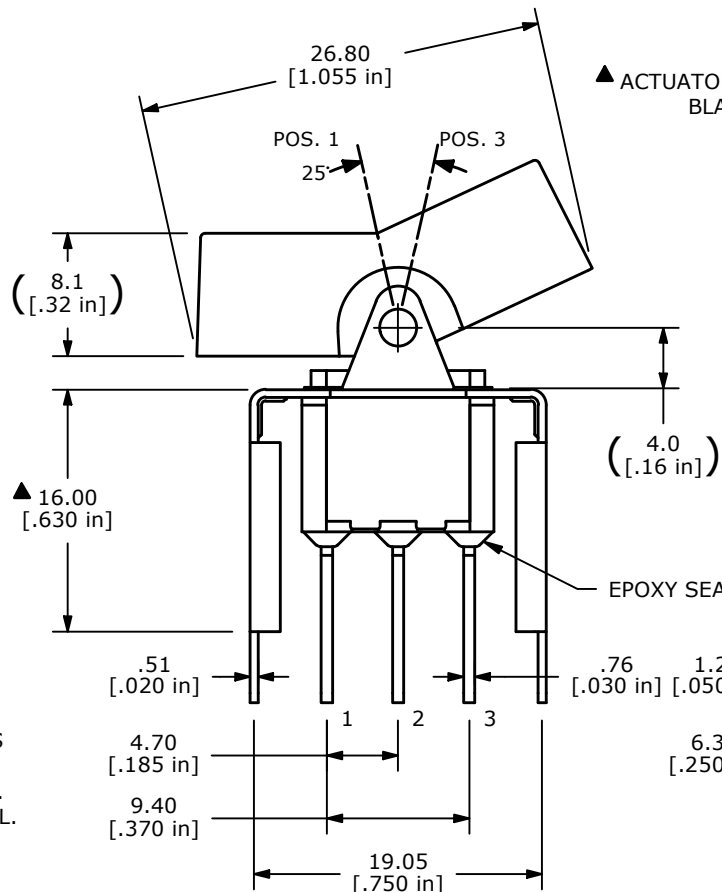


▲ SWITCH FUNCTION		
POS. 1	POS. 2	POS. 3
ON	NONE	ON
2-3	N/A	2-1

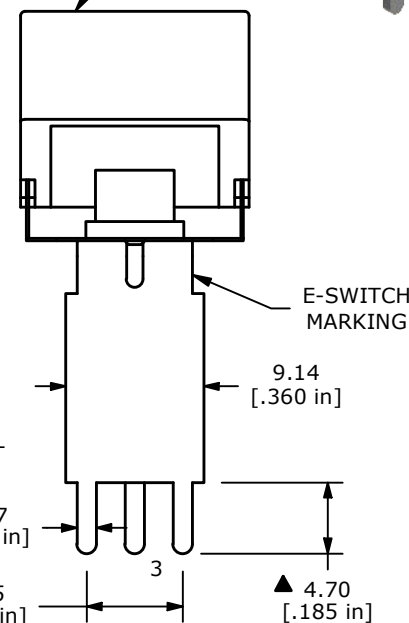


NOTE:

1. ALL DIMENSIONS IN MM [INCH]
2. GENERAL TOLERANCE: X.X=±0.4
X.XX=±0.25
3. TERMINAL NUMBERS FOR REF ONLY
- ▲ 4. PLATING MATERIAL: SILVER
5. RATING: 2 AMPS @250VAC
5 AMPS @120VAC OR 28VDC
6. ELECTRIC LIFE: 40,000 MAKE-AND-BREAK CYCLES AT FULL LOAD.
7. INSULATION RESISTANCE: 1,000 MEGA-OHM MIN.
8. DIELECTRIC STRENGTH: 1,000 V RMS @SEA LEVEL.
9. OPERATING TEMP.: -40°C TO 85°C
10. ▲ DENOTES CRITICAL PARAMETER.



▲ ACTUATOR COLOR: BLACK



REV	ECO NO	DESCRIPTION	DATE	BY
B	ECO-101996	OPERATING TEMP FROM ..-30°C.. TO ..-40°C..	06/12/23	MR



OBJECT ID
000025073

TITLE 300SP1J3BLKVS5QE				
SCALE 2:1	DATE 12/27/2006	DR TN	DWG T311089	REV B