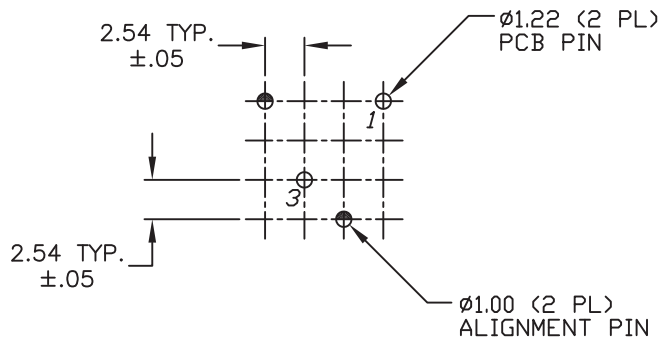
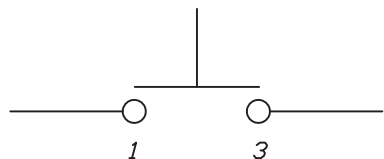
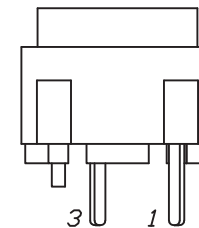
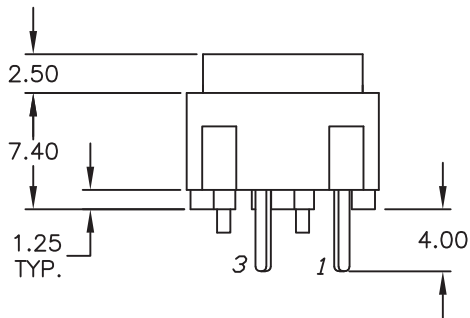
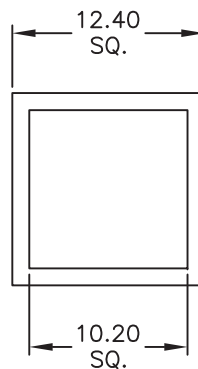


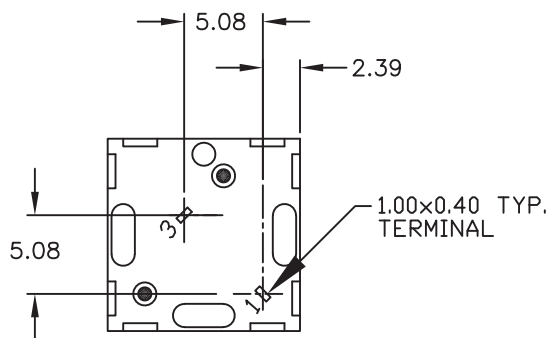
TOP VIEW -SHOW ORIENTATION OF LEGENDS
IN RESPECT TO THE PCB PIN TERMINALS.



RECOMMENDED P.C.B. LAYOUT



CIRCUIT: SPST
CONTACT CONFIGURATION



NOTES:

1. ALL DIMENSIONS IN MM
2. GENERAL TOLERANCE: X.X=±0.4
X.XX=±0.25
3. TERMINAL NO'S FOR REFERENCE ONLY.
4. RATING: 25mA, @50VDC
5. OPERATING FORCE: 135±50gF
6. TRAVEL TO MAKE: 0.7mm
7. USE E1-1 CONTACT DOME (B050001)

OBJECT ID: 000027337

E-SWITCH®

D					101863					NOTE 5 135 +/- 50 WAS 120gF					4/19/23					JS																													
C					11880					REMOVE TABULATION					12/27/01					CJB																													
REV.					ECN No.					DESCRIPTION					DATE					CHKD																													
<p>THE INFORMATION CONTAINED IN THIS DOCUMENT IS PROPRIETARY TO E-SWITCH AND IS NOT TO BE COPIED OR TRANSFERRED</p>																																																	
TITLE					320.01 E1-1 BLK																																												
SCALE					2:1					DATE					12/27/01					DR					CB					DWG					XB0005P					REV					D				