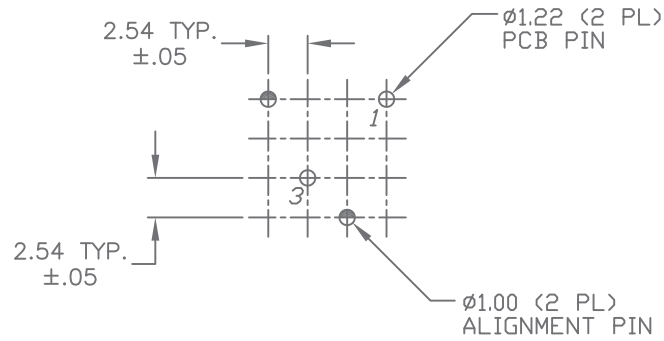
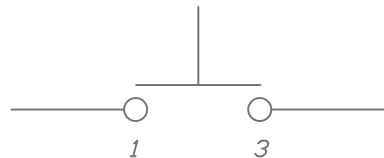
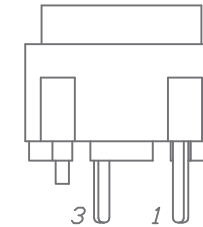
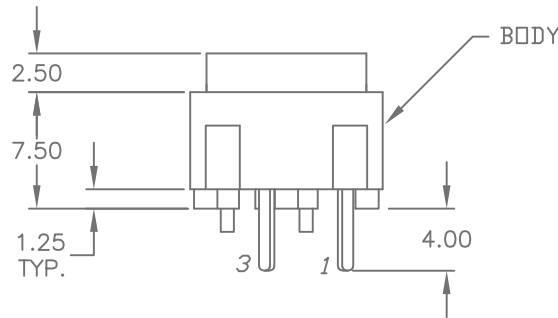
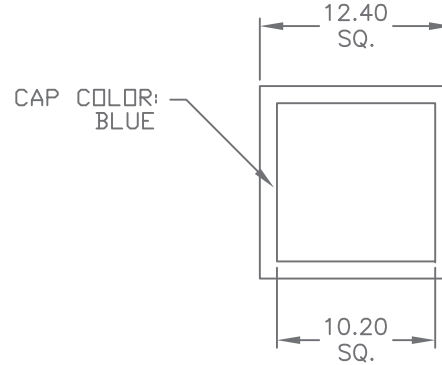


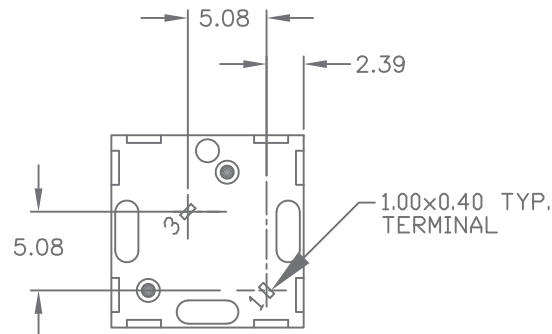
TOP VIEW -SHOW ORIENTATION OF LEGENDS
IN RESPECT TO THE PCB PIN TERMINALS.



RECOMMENDED P.C.B. LAYOUT



CIRCUIT: SPST
CONTACT CONFIGURATION



NOTES:

1. ALL DIMENSIONS IN MM
2. GENERAL TOLERANCE: X.X=±0.4
X.XX=±0.25
3. TERMINAL NO'S FOR REFERENCE ONLY.
4. RATING: 25mA, @50VDC
5. OPERATING FORCE: 135+/- 50 gF
6. TRAVEL TO MAKE: 0.7mm
7. USES CONTACT DOME:

[B050001] 320E11 CONTACT DOME

OBJECT ID: 000027348



B	102080	NOTE 5 135+/- 50GF WAS 120	7/26/23	JS
A	11880	RELEASED FOR PRODUCTION	2/26/03	CJB
REV.	ECN No.	DESCRIPTION	DATE	CHKD

TITLE 320.01E11BLU				
SCALE 2:1	DATE 2/26/03	DR CJB	DWG XB0048P	REV B

THE INFORMATION CONTAINED IN THIS DOCUMENT
IS PROPRIETARY TO E-SWITCH AND IS
NOT TO BE COPIED OR TRANSFERRED