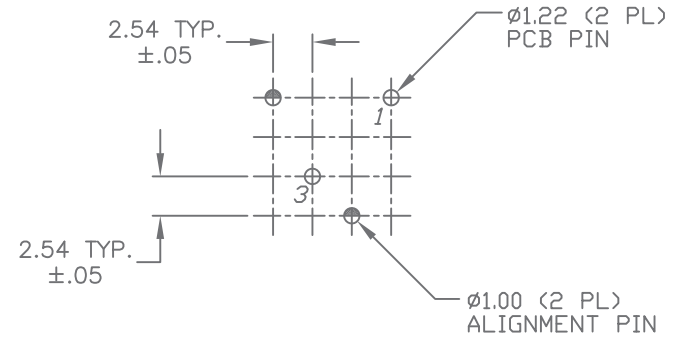
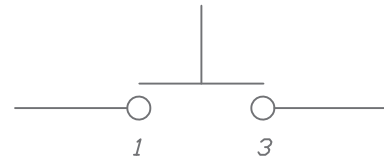
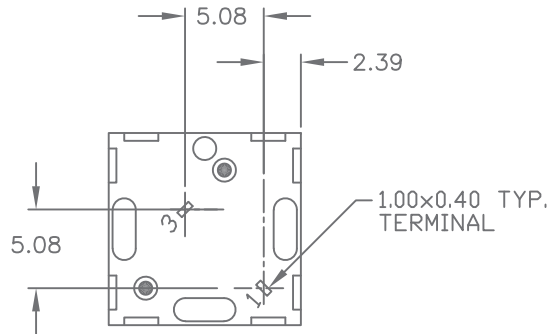
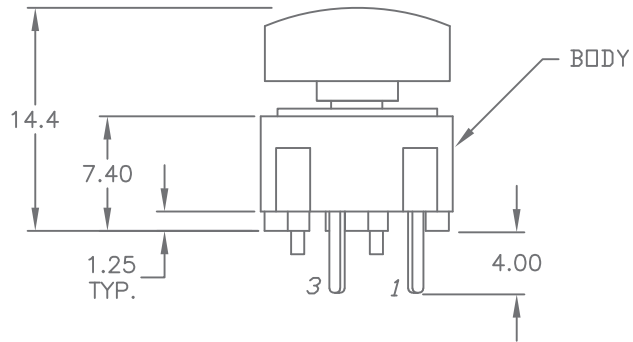


TOP VIEW -SHOW ORIENTATION OF LEGENDS
IN RESPECT TO THE PCB PIN TERMINALS.



RECOMMENDED P.C.B. LAYOUT



CIRCUIT: SPST
CONTACT CONFIGURATION

NOTES:

1. ALL DIMINSIONS IN MM
2. GENERAL TOLERANCE: X.X=±0.4
X.XX=±0.25
3. TERMINAL NO'S FOR REFERENCE ONLY.
4. RATING: 25mA, @50VDC
5. OPERATING FORCE: 135±50gF
6. TRAVEL TO MAKE: 0.7mm

OBJECT ID: 000027369



B	102080	NOTE 5 135+/-50 WAS 120 gF	7/27/23	JS
A	23904	RELEASED FOR PRODUCTION	5/22/19	MW
REV.	ECN No.	DESCRIPTION	DATE	CHKD

THE INFORMATION CONTAINED IN THIS DOCUMENT
IS PROPRIETARY TO E-SWITCH AND IS
NOT TO BE COPIED OR TRANSFERRED

TITLE 320.02E1108BLU				
SCALE 2:1	DATE 5/22/19	DR CJB	DWG XB0564P	REV B