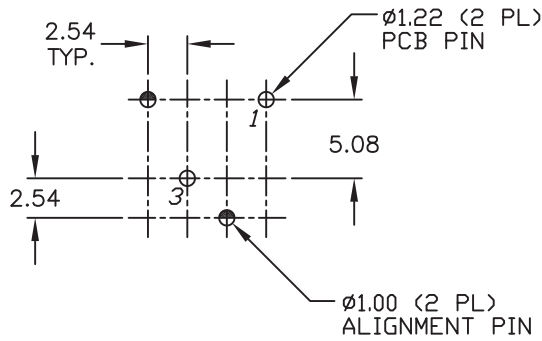
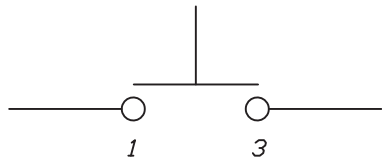


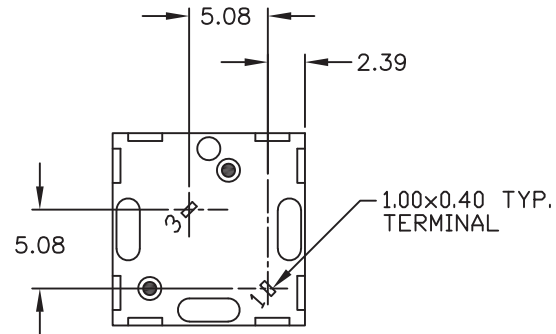
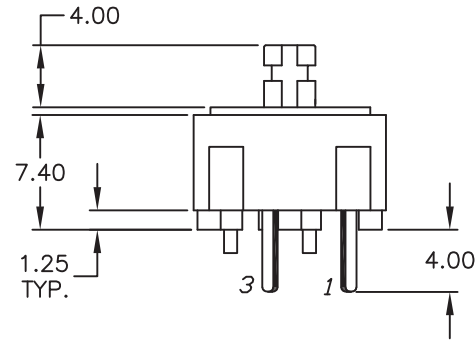
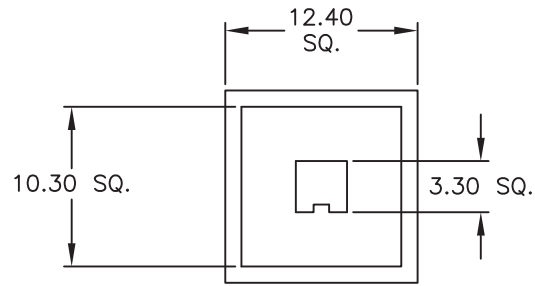
TOP VIEW -SHOW ORIENTATION OF LEGENDS
IN RESPECT TO THE PCB PIN TERMINALS.



RECOMMENDED P.C.B. LAYOUT



CIRCUIT: SPST
CONTACT CONFIGURATION



NOTES:

1. ALL DIMENSIONS IN MM
2. GENERAL TOLERANCE: X.X=±0.4
X.XX=±0.25
3. TERMINAL NO'S FOR REFERENCE ONLY.
4. RATING: 25mA, @50VDC
5. OPERATING FORCE: 135±50gF
6. TRAVEL TO MAKE: 0.7mm
7. USES CONTACT DOME:
320 E1-1 CONTACT (PN# B050001)

OBJECT ID: 000027334

D	101863	NOTE 5 135+/-50 WAS 120 gF	4/19/23	JS
C	12179	REVISED TO SHOW NOTCH IN CAP	5/23/02	CJB
B	11124	REVISED & REDRAWN	12/18/00	CJB
REV.	ECN No.	DESCRIPTION	DATE	CHKD

THE INFORMATION CONTAINED IN THIS DOCUMENT
IS PROPRIETARY TO E-SWITCH AND IS
NOT TO BE COPIED OR TRANSFERRED

E-SWITCH®

TITLE				
320.02 E1-1 BLK				
SCALE	DATE	DR	DWG	REV
2:1	12/18/00	CJB	XB0002P	D