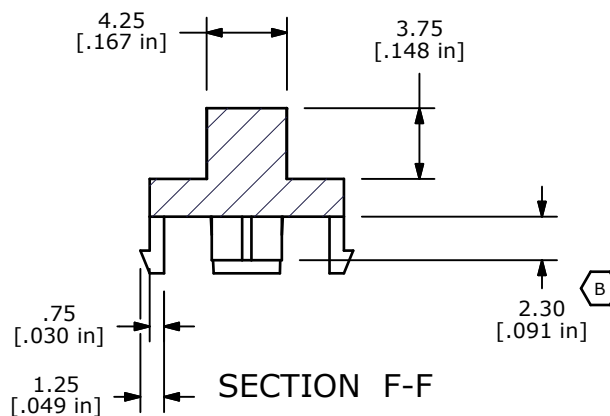
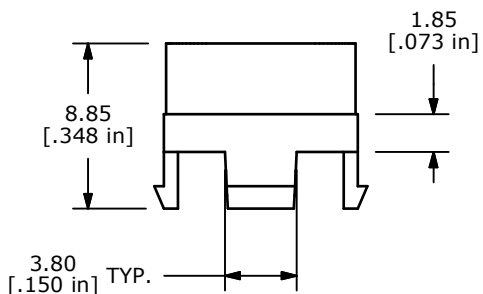
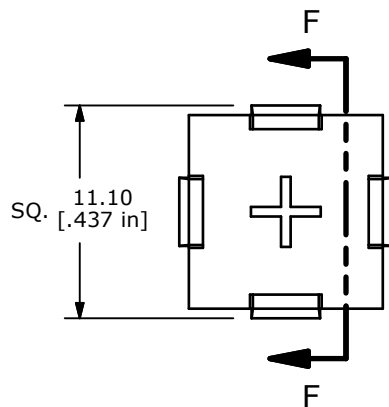


TOP VIEW



SECTION F-F



BOTTOM VIEW

NOTES:

1. ALL DIMENSIONS IN MM [INCH]
2. GENERAL TOLERANCE: X.XX=±0.2
3. CAP MATERIAL: ABS
4. CAP COLOR: BLUE

E-SWITCH®

B	17868	PROJECTION REVISED (WAS 3.30)	11/27/07	BLR
A	12767	RELEASED FOR PRODUCTION	01/03/03	CB
REV	PCR NO	DESCRIPTION	DATE	BY

TITLE 320.04 CAP BLU				
SCALE 2.5:1	DATE 11/27/2007	DR BLR	DWG B040404	REV B

THE INFORMATION CONTAINED IN THIS DOCUMENT IS PROPRIETARY TO E-SWITCH AND IS NOT TO BE COPIED OR TRANSFERRED