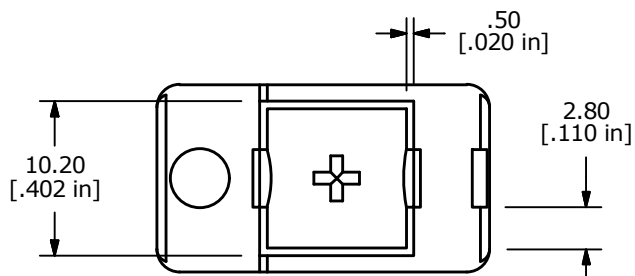
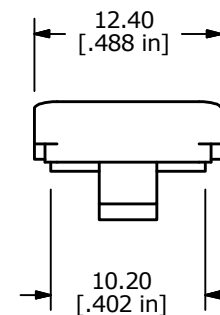
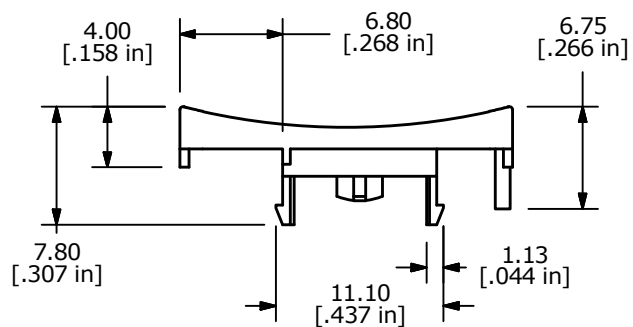
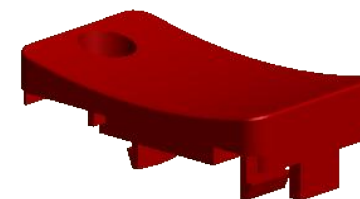
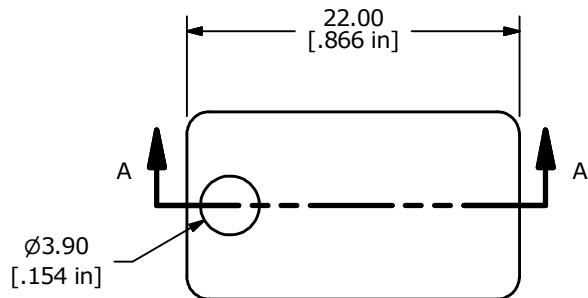


SECTION A-A



NOTES:

1. ALL DIMENSIONS IN MM [INCH]
2. GENERAL TOLERANCE: X.XX = ± 0.25
3. CAP MATERIAL: ABS
4. CAP COLOR: RED



C	23273	UPDATED LAYOUT AND BOTTOM VIEW	3/20/18	MJR
B	18441	CHANGE DIM WAS 8.0	3/10/09	BLR
REV	PCR NO	DESCRIPTION	DATE	BY

E-SWITCH®				
TITLE 320.2CAPRED				
SCALE	DATE	DR	DWG	REV
2:1	2/4/2003	CB	B042003	C

THE INFORMATION CONTAINED IN THIS DOCUMENT IS PROPRIETARY TO E-SWITCH AND IS NOT TO BE COPIED OR TRANSFERRED