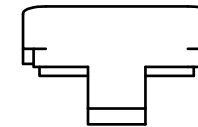
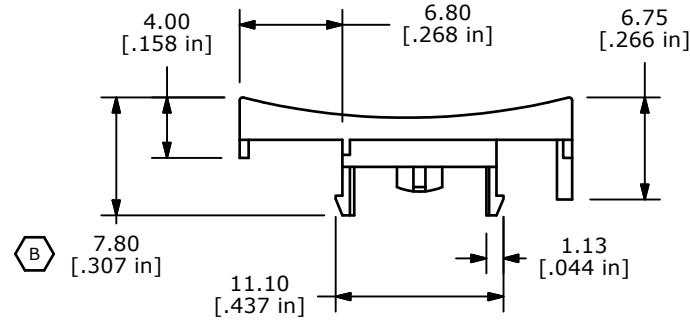
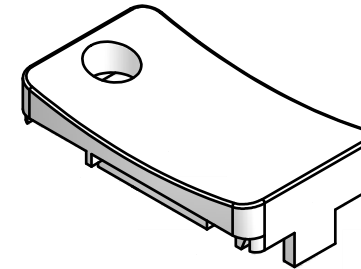
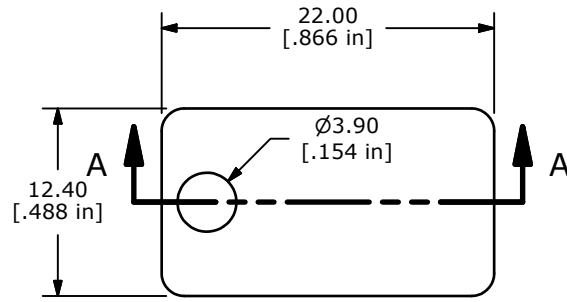
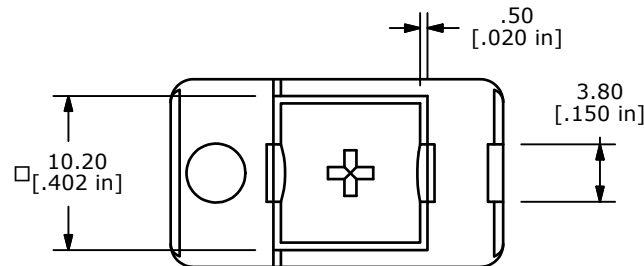


SECTION A-A  
SCALE 2:1



- NOTES:  
 1. ALL DIMENSIONS IN MM [INCH]  
 2. GENERAL TOLERANCE: X.XX = 0.25  
 3. CAP MATERIAL: ABS  
 4. CAP COLOR: WHITE



TITLE 320.2CAPWHT

B	20287	CHANGE DIM WAS 8.0	11/16/11	BGL
REV	PCR NO	DESCRIPTION	DATE	BY

THE INFORMATION CONTAINED IN THIS DOCUMENT IS PROPRIETARY TO E-SWITCH AND IS NOT TO BE COPIED OR TRANSFERRED

SCALE 2:1	DATE 11/16/2011	DR BGL	DWG B042001	REV B
-----------	-----------------	--------	-------------	-------