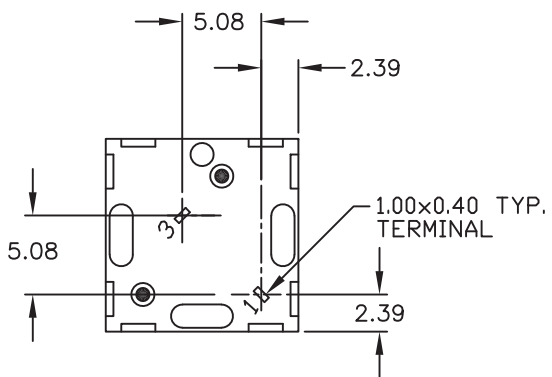
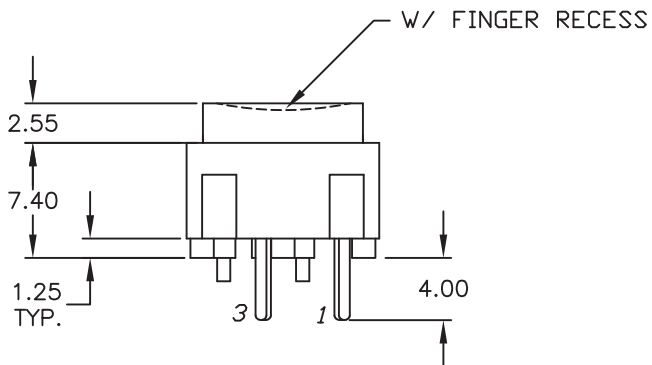
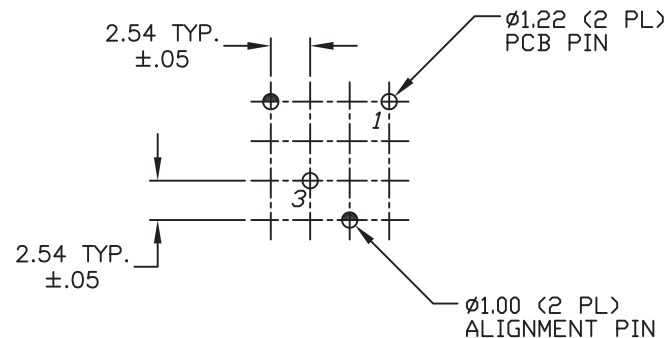


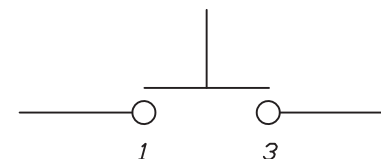
SHOWN CAP REMOVED



TOP VIEW -SHOW ORIENTATION OF LEGENDS IN RESPECT TO THE PCB PIN TERMINALS.



RECOMMENDED P.C.B. LAYOUT



CIRCUIT: SPST  
CONTACT CONFIGURATION

- NOTES:
1. ALL DIMENSIONS IN MM
  2. GENERAL TOLERANCE: X.X=±0.4  
X.XX=±0.25
  3. TERMINAL NO'S FOR REFERENCE ONLY.
  4. RATING: 25mA, @50VDC
  5. OPERATING FORCE: 135±50gF
  6. TRAVEL TO MAKE: 0.7mm
  7. USE E1-1CONTACT DOME (B050001)

OBJECT ID: 000027353

C	101863	UPDATE PRINT	5/05/23	JS
B	101834	NOTES 5 135+/-50 WAS 120 gF	4/19/23	JS
A	11867	REVISED AND REDRAWN	12/17/01	CJB
REV.	ECN No.	DESCRIPTION	DATE	CHKD

THE INFORMATION CONTAINED IN THIS DOCUMENT IS PROPRIETARY TO E-SWITCH AND IS NOT TO BE COPIED OR TRANSFERRED

**E-SWITCH**®

TITLE					320 E1-1 GRN				
SCALE	2:1	DATE	12/17/01	DR	CJB	DWG	XB0100P	REV	C