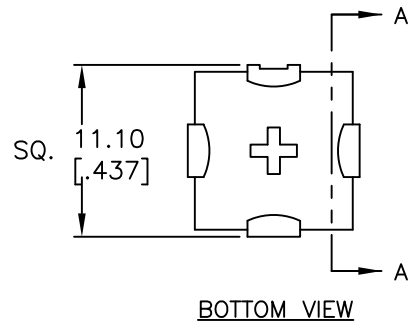
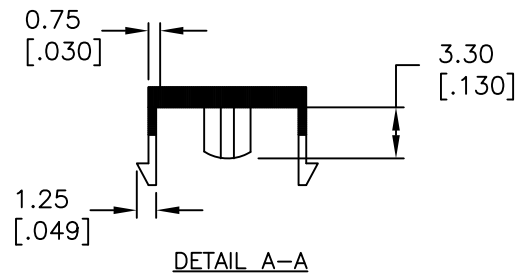
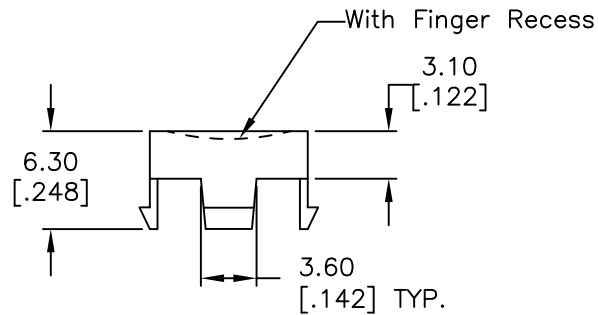


TOP VIEW



BOTTOM VIEW

NOTES:

1. ALL DIMENSIONS IN MM [INCH]
2. GENERAL TOLERANCE: X.XX=±0.2
3. CAP MATERIAL: ABS
4. CAP COLOR: TAN (SOMFY)

E-SWITCH®

| | | | | |
|------|---------|-------------------------|--------|------|
| B | | | | |
| A | 12767 | RELEASED FOR PRODUCTION | 2/3/03 | CB |
| REV. | ECN No. | DESCRIPTION | DATE | CHKD |

THE INFORMATION CONTAINED IN THIS DOCUMENT IS PROPRIETARY TO E-SWITCH AND IS NOT TO BE COPIED OR TRANSFERRED

| | | | | |
|---------------------|------|----|---------|-----|
| TITLE | | | | |
| 320 CAP TAN "SOMFY" | | | | |
| SCALE | DATE | DR | DWG | REV |
| 2:1 | -- | -- | B040009 | A |