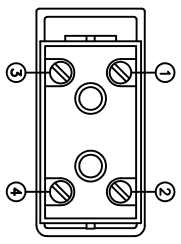
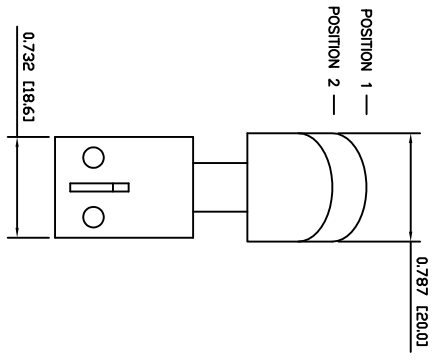
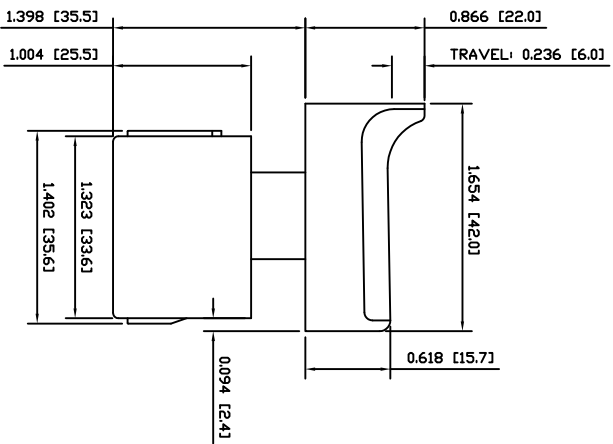
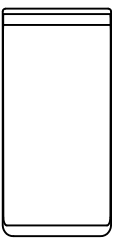


**SPECIFICATIONS**  
**FUNCTION:**  
 1P1T OFF-(ON) + 1P1T ON-(OFF)  
**RATINGS:**  
 ANSI/UL 1054 and CAN/CSA C22.2 No. 55 (E194579):  
 18A 125VAC [cURus]  
 12A 250VAC [cURus]

**OPERATING FORCE:**  
 3.0kgf±0.5kgf  
**ELECTRICAL LIFE:**  
 6,000 Cycles [cURus]

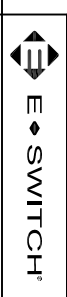
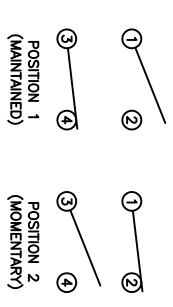
**APPROVALS:**  
 **SAVUS**  

**COLORS**

**BODY:** White  
**ACTUATOR:** Orange/Black  
**LOCK:** None

**SCHEMATIC**



HY15-6Y7-13A-0000

REV.	A	09/07/10	CAB
COLORS	A	09/07/20	CAB
SPECIFICATIONS	A	09/07/10	CAB
REFERENCE	REV.	DATE	BY

1 THE INFORMATION CONTAINED IN THIS DOCUMENT IS PROPRIETARY TO E-SWITCH AND IS NOT TO BE COPIED OR TRANSMITTED

REV.	B	Removed 31X reference information
REV.	A	INITIAL RELEASE
REV.	A	Removed 31X reference information
REV.	A	INITIAL RELEASE
REV.	A	Removed 31X reference information
REV.	A	INITIAL RELEASE

DATE	07/18/15	BY	TO
DATE	09/07/20	BY	TO
DATE	09/07/20	BY	TO

INCHES [MILLIMETERS]	±0.020 [±0.5] / ±.1
GENERAL TOLERANCES	±0.020 [±0.5] / ±.1
SCALE	DRAWING NOT TO SCALE
PROJECTION	
DRAWING NUMBER	34-HY1567/13A0000
DATE	JULY 30, 2009
REVISION	B