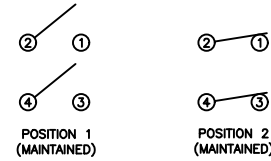


SCHEMATIC



SPECIFICATIONS

FUNCTION:
2P1T OFF-ON

RATINGS:
ANSI/UL 1054, CN/CSA 22.2 No. 55 (E194579):
20A 125VAC 50/60Hz [cURus]
20A 250VAC 50/60Hz [cURus]
2HP 125/250VAC 50/60Hz [cURus]

EN 61058-1:2002 (50153550):
18(12)A 250V~ 50Hz 5E4 T85/55 [TÜV]

CONTACT RESISTANCE:
Initial: 50mΩ Max.

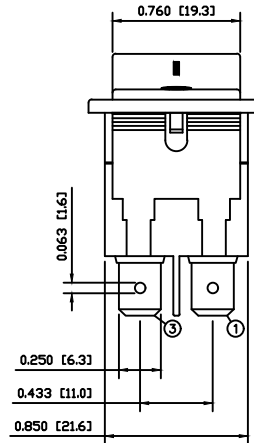
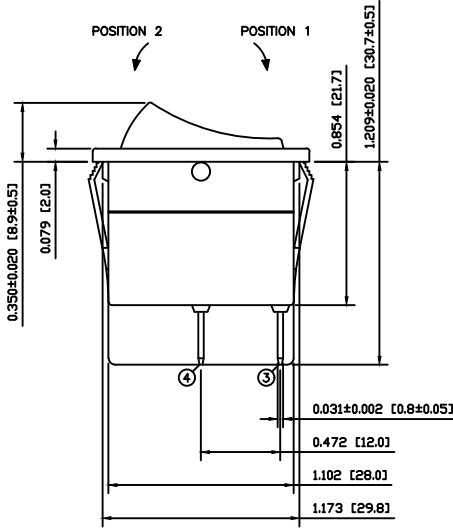
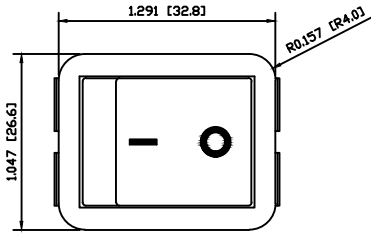
INSULATION RESISTANCE:
500MΩ Min. at 500VDC

DIELECTRIC STRENGTH:
1,500VAC For 1 Minute

TEMPERATURE:
Operating: -20°C to 65°C [cURus]
Operating: -20°C to 85°C [TÜV]

INGRESS PROTECTION:
IP55

APPROVALS:



COLORS AND MARKINGS

BODY:
Black

ACTUATOR:
Black

MOUNTING EARS:
White

MARKINGS:
I/O Vertical (1)

MARKING COLOR:
White

MATERIALS

BODY:
Polyamide 6/6 (PA66), UL94 V-0

ACTUATOR:
Polyamide 6/6 (PA66), UL94 V-2

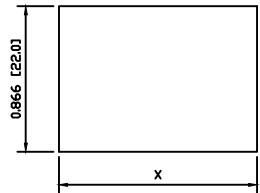
MOUNTING EARS:
Polyamide 6/6 (PA66), UL94 V-2

CONTACTS:
Silver Alloy

TERMINALS:
Silver Plated Copper

RUBBER SEAL:
Ethylene Propylene Thermoplastic Rubber (EPTR)

SUGGESTED PANEL CUTOUT



PANEL THICKNESS	X
1.5 - 2.0mm	30.2mm +0.1/-0
2.0 - 2.5mm	30.4mm +0.1/-0

ACTUATOR	A	06/07/21	CAB
BODY	-	8/21/2019	MW
COLORS	A	06/07/21	CAB
MATERIALS	B	10/12/10	CAB
SPECIFICATIONS	-	8/21/2019	MW
REFERENCE	REV.	DATE	

C	correct term. numbers, 4 to 3, 5 to 4	24009	8/21/19	MW
B	CORRECTED TERMINAL PLATING TO SILVER	19461	10/12/10	CAB
A	INITIAL RELEASE	PCRO0051	06/06/05	CAB
REV.	DESCRIPTION	PCR	DATE	DRAWN BY

DIMENSIONS		INCHES [MILLIMETERS]
GENERAL TOLERANCES		
±0.008 [±0.2] / ±1*		
SCALE	DRAWING NOT TO SCALE	PROJECTION

<p>WB242D1121</p>			
ITEM NUMBER	DATE	REVISION	
34-WB242D1121	DECEMBER 10, 2010	C	

THE INFORMATION CONTAINED IN THIS DOCUMENT IS PROPRIETARY TO E-SWITCH AND IS NOT TO BE COPIED OR TRANSFERRED