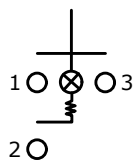


SWITCH FUNCTION	
POS. 1	POS. 2
OFF	ON
OPEN	1, 3



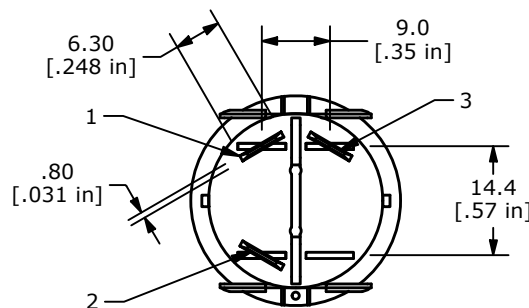
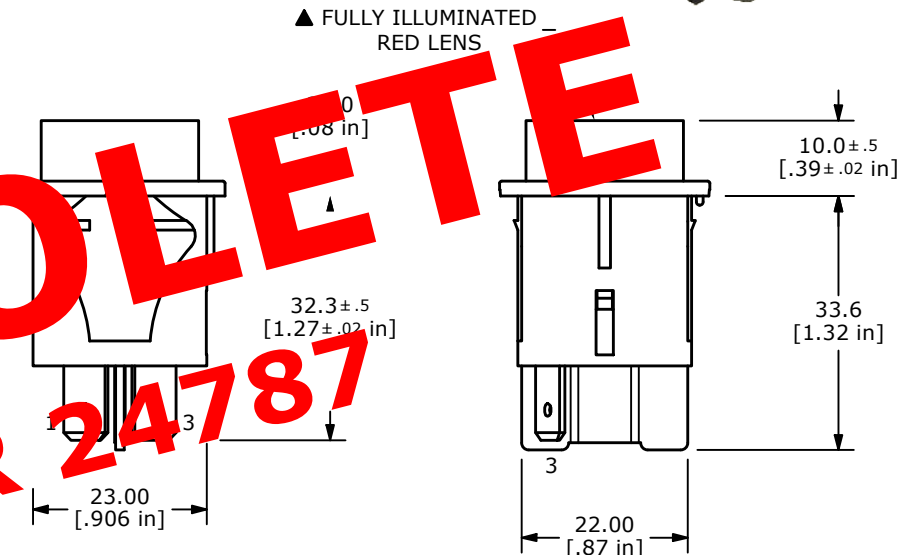
CIRCUIT: SPST

NOTE:

1. ALL DIMENSIONS IN MM [INCH]
2. GENERAL TOLERANCE: X.X = 0.4  
X.XX = 0.2
3. TERMINAL NUMBERS FOR REFERENCE
4. CONTACT RATINGS:  
ANSI/UL 1054 AND CAN/CSA C22.2 NO.55 (E194579)  
16A 125VAC [UR, cUR]  
1/2HP 125VAC, 3/4HP 250VAC [UR, cUR]  
EN 61058-1: 2002:  
16(6)A 250V~ 1E4 T125/55 [ENEC14]  
10(4)A 250V~ 5E4 T125/55 [ENEC14]
5. CONTACT RESISTANCE: 35mΩ MAX. INITIAL @ 50VAC
6. INSULATION RESISTANCE: 100MΩ @ 500VDC
7. DIELECTRIC STRENGTH: 1500VAC FOR 1 MINUTE
8. ELECTRICAL LIFE: 6,000 CYCLES [UR, cUR]  
10,000 CYCLES [ENEC14]  
50,000 CYCLES [ENEC14]
9. OPERATING TEMP: -20°C to 105°C [UR, cUR]  
-20°C to 125°C [ENEC14]
10. ▲ DENOTE CRITICAL PARAMETER
- ▲ 11. ILLUMINATION VOLTAGE: 12V
- ▲ 12. LENS COLOR: RED

OBSOLETE

PCR 24787



C	24787	OBSOLETE	3/8/21	JM
B	23310	REMOVED SEMKO RATING	4/16/18	MJR
A	19848	INITIAL RELEASE	4/15/11	CAB
REV	PCR NO	DESCRIPTION	DATE	BY



TITLE PR141C1000-114				
SCALE	DATE	DR	DWG	REV
1:1	8/15/2011	CAB	38-PR141C1000114	C