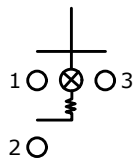


SWITCH FUNCTION	
POS. 1	POS. 2
OFF	ON
OPEN	1, 3

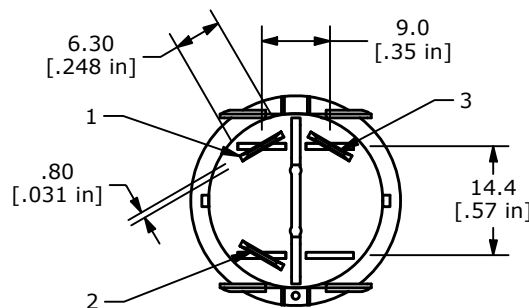
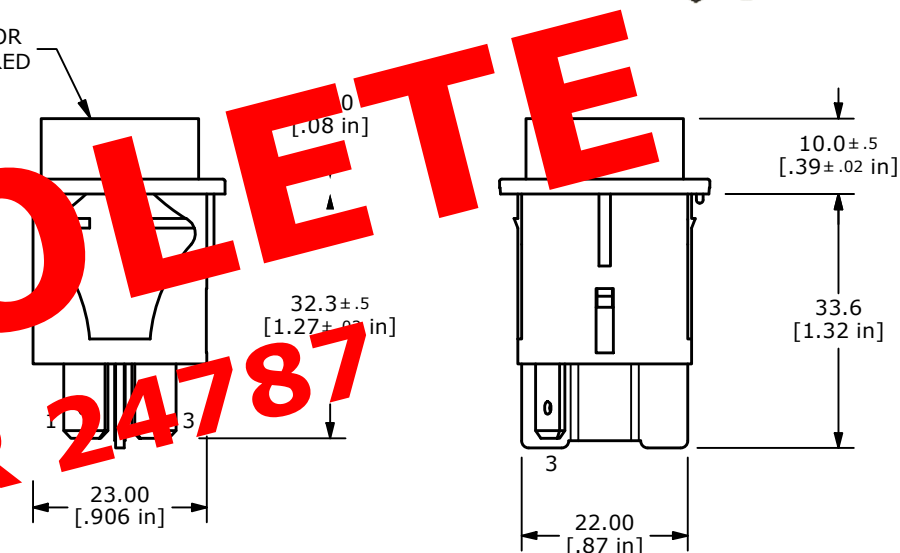


CIRCUIT: SPST

NOTE:

- ALL DIMENSIONS IN MM [INCH]
- GENERAL TOLERANCE: X.X = 0.4
X.XX = 0.2
- TERMINAL NUMBERS FOR REFERENCE
- CONTACT RATINGS:
ANSI/UL 1054 AND CAN/CSA C22.2 NO.55 (E194579)
16A 125VAC [UR, cUR]
1/2HP 125VAC, 3/4HP 250VAC [UR, cUR]
EN 61058-1: 2002:
16(6)A 250V~ 1E4 T125/55 [ENEC14]
10(4)A 250V~ 5E4 T125/55 [ENEC14]
- CONTACT RESISTANCE: 35mΩ MAX. INITIAL @ 50VAC
- INSULATION RESISTANCE: 100MΩ @ 500VDC
- DIELECTRIC STRENGTH: 1500VAC FOR 1 MINUTE
- ELERTICAL LIFE: 6,000 CYCLES [UR, cUR]
10,000 CYCLES [ENEC14]
50,000 CYCLES [ENEC14]
- OPERATING TEMP: -20°C to 105°C [UR, cUR]
-20°C to 125°C [ENEC14]
- ▲ DENOTE CRITICAL PARAMETER

▲ ACTUATOR COLOR: RED



C	24787	OBSOLETE	3/8/21	JM
B	23310	REMOVE SEMKO RATING	4/16/18	MJR
A	00051	INITIAL RELEASE	8/7/09	CAB
REV	PCR NO	DESCRIPTION	DATE	BY



TITLE PR141C1900				
SCALE 1:1	DATE 8/7/2009	DR CAB	DWG 38-PR141C1900	REV C

THE INFORMATION CONTAINED IN THIS DOCUMENT IS PROPRIETARY TO E-SWITCH AND IS NOT TO BE COPIED OR TRANSFERRED