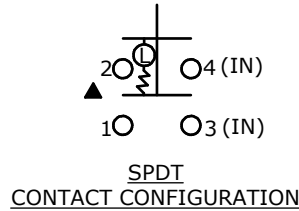
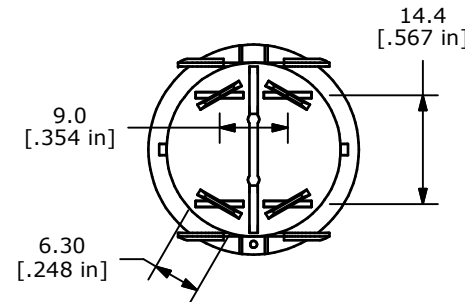
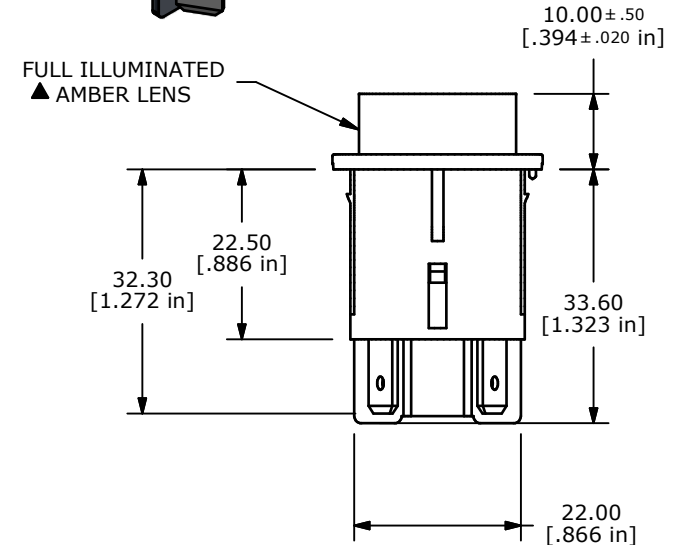
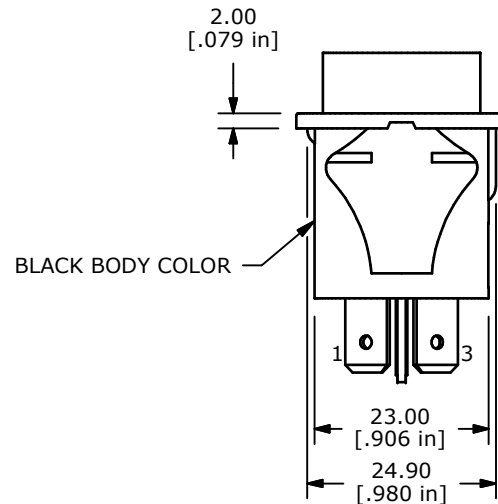


SWITCH FUNCTION	
POS. 1	POS. 2
OFF	ON
OPEN	1-3, 2-4



NOTE:

- ALL DIMENSIONS IN MM [INCH]
- GENERAL TOLERANCE: X.X = 0.4
X.XX = 0.25
- TERMINAL NO'S FOR REFERENCE ONLY.
- CONTACT RATINGS:
ANSI/UL 1054 AND CAN/CSA C22.2 NO.55(E194579)
16A 125VAC [UR,cUR]
1/2HP 125VAC, 3/4HP250VAC [UR,cUR]
EN 61058-1: 2002:
16(6)A 250V~ 1E4 T125/55 [ENEC14, SEMKO]
10(4)A 250V~ 5E4 T125/55 [ENEC14, SEMKO]
- CONTACT RESISTANCE: 35mΩ MAX. INITIAL @ 50VAC
- INSULATION RESISTANCE: 100MΩ @ 500VDC
- DIELECTRIC STRENGTH: 1500VAC FOR 1 MINUTE
- ELERTICAL LIFE: 6,000 CYCLES [UR,cUR]
10,000 CYCLES [VDE]
50,000 CYCLES [VDE]
- OPERATING TEMP: -20°C TO 105°C [UR,cUR]
-20°C TO 125°C [VDE]
- ▲ DENOTE CRITICAL PARAMETER
- 2002/95/EC (ROHS) COMPLIANT
- ILLUMINATION VOLTAGE: 250V



TITLE PR142C1000-127

A	21321	RELEASE TO PRODUCTION	12/9/13	EBP
REV	PCR NO	DESCRIPTION	DATE	BY

SCALE	DATE	DR	DWG	REV
	12/9/2013	EBP	38-PR142C1000127	A

THE INFORMATION CONTAINED IN THIS DOCUMENT IS PROPRIETARY TO E-SWITCH AND IS NOT TO BE COPIED OR TRANSFERRED