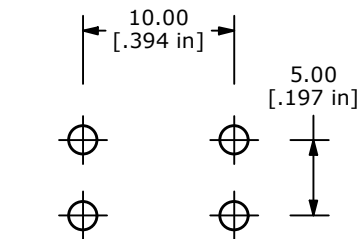
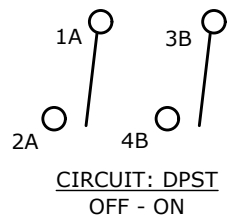
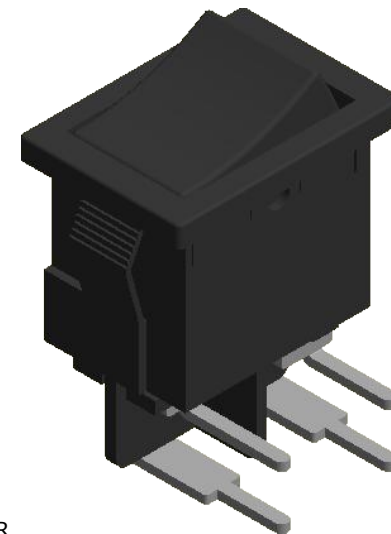
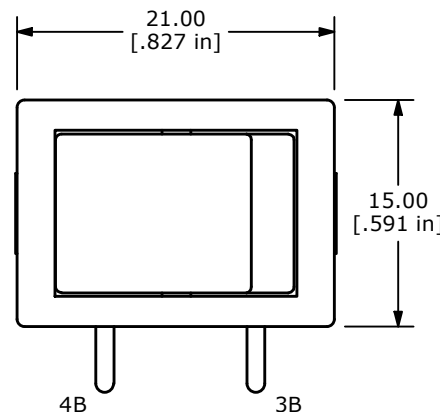


RECOMMENDED PANEL CUTOUT



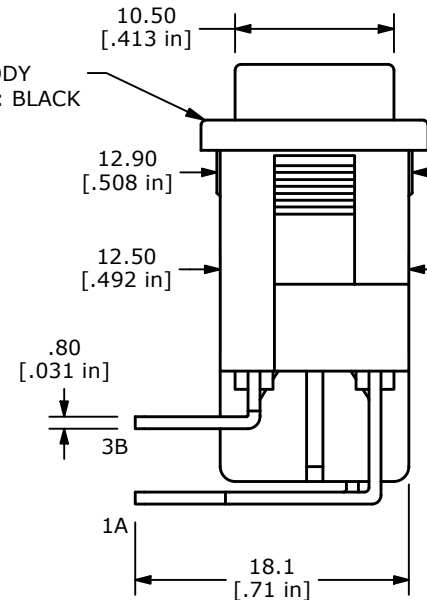
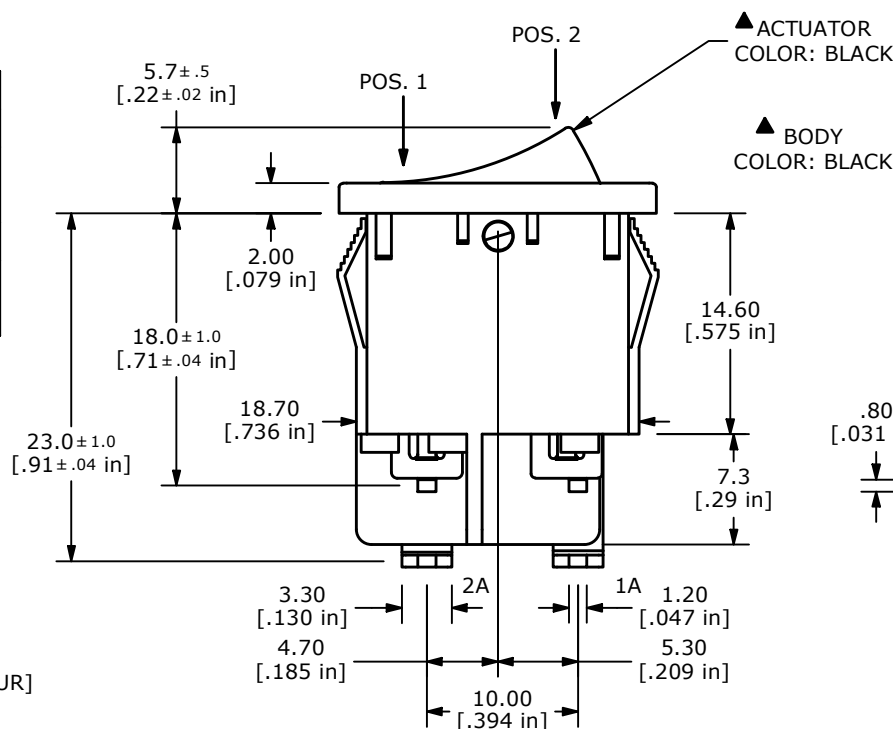
RECOMMENDED P.C.B. LAYOUT

PANEL THICKNESS	X
0.75 - 1.25	19.2
1.25 - 2.00	19.4
2.00 - 3.00	19.6



SWITCH FUNCTION	
POS. 1	POS. 2
OFF	ON
OPEN	1A-2A, 3B-4B

- NOTE:
1. DIMENSIONS IN MM [INCH]
 2. GENERAL TOLERANCE: X.X = ± 0.4
X.XX = ± 0.25
 3. TERMINAL NUMBERS FOR REF ONLY
 4. CONTACT MATERIAL: SILVER
 5. CONTACT RATINGS: 10A @ 125VAC [UR, cUR]
 6. CONTACT RESISTANCE: 35mΩ MAX. @ 50VAC
 7. INSULATION RESISTANCE: 100MΩ MIN. @ 500VAC
 8. DIELECTRIC STRENGTH: 1,500VAC FOR 1 MINUTE
 9. ELECTRICAL LIFE: 6,000 CYCLES [UR, cUR]
 10. OPERATING TEMPERATURE: -20°C TO 105°C [UR, cUR]
 11. ▲ DENOTES CRITICAL PARAMETER



REV	ECO NO	DESCRIPTION	DATE	BY
F	ECO-101631	CONTACT RATING TO 10A @ 125VAC [UR, cUR]	02/03/23	MR
E	ECO-101332	RA8 SERIES UPDATE	12/16/22	MR
D	ECO-100443	REMOVE VDE/ENEC RATING AND LOGO	01/12/22	JS



OBJECT ID
000001454

TITLE RA8H231100		SCALE 2:1	DATE 3/6/2017	DR MJR	DWG 38-RA8H231100	REV F
---------------------	--	--------------	------------------	-----------	----------------------	----------