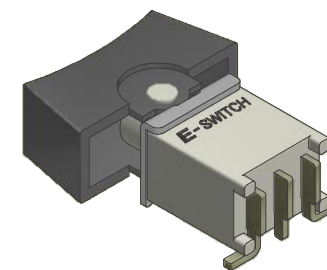
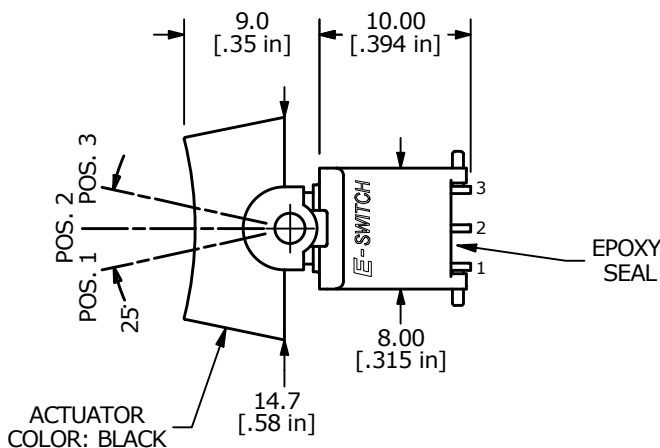
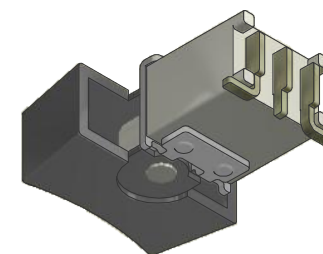
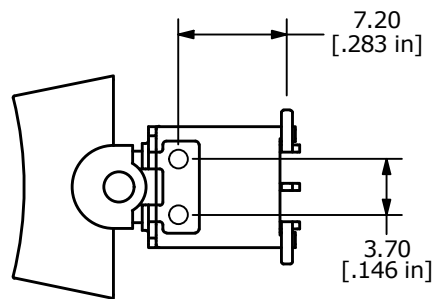
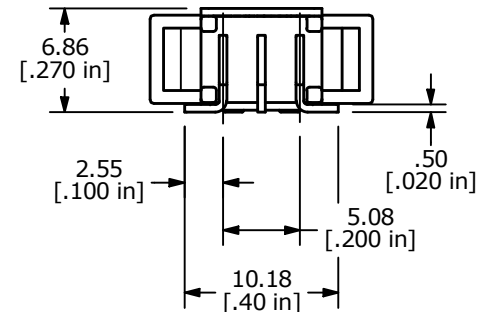
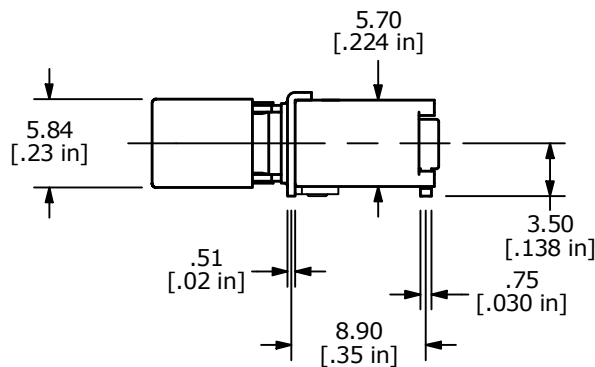
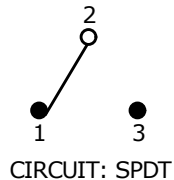


RECOMMENDED P.C.B. LAYOUT



| ▲ SWITCH FUNCTION | | |
|-------------------|--------|--------|
| POS. 1 | POS. 2 | POS. 3 |
| | | |
| (ON) | OFF | (ON) |
| 2-3 | OPEN | 2-1 |

() = MOMENTARY



NOTES:

1. ALL DIMENSIONS IN MM[INCH].
2. GENERAL TOLERANCE: X.X = ± 0.4
X.XX = ± 0.25
3. TERM. NOS. FOR REFERENCE ONLY.
4. ELECTRICAL LIFE: 50,000 MAKE-AND-BREAK CYCLES AT FULL LOAD.
- ▲ 5. CONTACT MATERIAL: GOLD
6. CONTACT RATING: 0.4VA MAX @20V (AC OR DC)
7. CONTACT RESISTANCE: 20MILLI-OHMS MAX. INITIAL @2-4 VDC
8. OPERATING TEMPERATURE: -30°C to 85°C.
9. TERMINALS TO BE COPLANAR TO WITHIN 0.1[.004]
10. ▲ DENOTES CRITICAL PARAMETER
11. PACKAGING: TAPE AND REEL 450 PCS. PER REEL

| REV | ECO NO | DESCRIPTION | DATE | BY | E-SWITCH® | | | OBJECT ID | |
|-----|------------|--------------|----------|----|---------------------------|-----------------|-------|-------------|-------|
| B | ECO-101806 | update print | 04/06/23 | MW | | | | 100122947 | |
| | | | | | TITLE 400BWMSP4R2BLKSM6RE | | | | |
| | | | | | SCALE 2:1 | DATE 10/26/2022 | DR MW | DWG T460009 | REV B |

THE INFORMATION CONTAINED IN THIS DOCUMENT IS PROPRIETARY TO E-SWITCH AND IS NOT TO BE COPIED OR TRANSFERRED