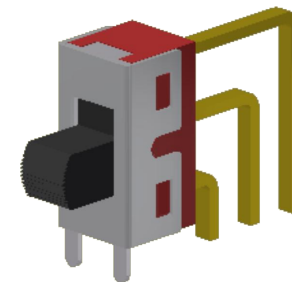
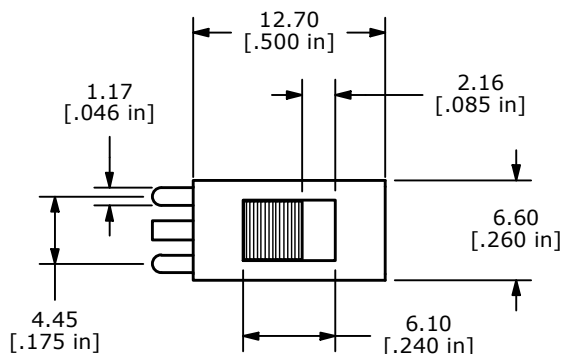
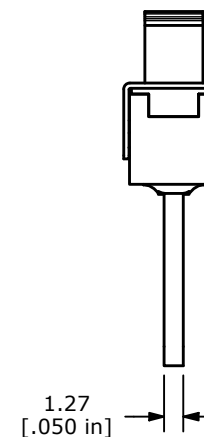
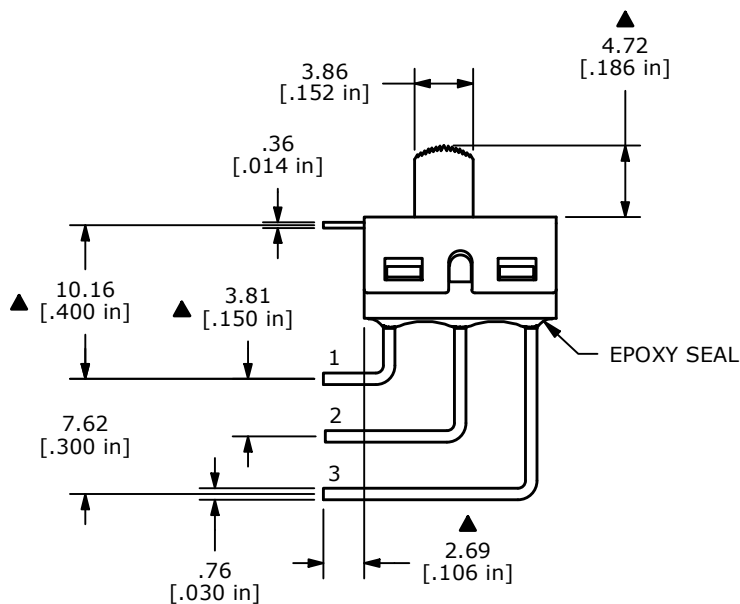
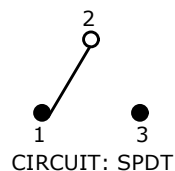


RECOMMENDED PCB MOUNTING



SWITCH FUNCTION		
POS. 1	POS. 2	POS. 3
ON	NONE	(ON)
2-1	N/A	2-3

(ON)=MOMENTARY



NOTE:

1. ALL DIMENSIONS IN MM [INCH]
2. GENERAL TOLERANCE: X.X=±0.4
X.XX=±0.25
3. TERMINAL NUMBERS FOR REF ONLY
- ▲ 4. CONTACT MATERIAL: GOLD
5. RATING: 0.4VA MAX @ 20VAC OR VDC
6. ELECTRIC LIFE: 6,000 ACTUATIONS AT FULL LOAD.
7. INSULATION RESISTANCE: 1,000 MEGA-OHM MIN.
8. DIELECTRIC STRENGTH: 1,000 V RMS @SEA LEVEL.
9. OPERATING TEMP.: -40°C to 85°C
10. ▲ DENOTES CRITICAL PARAMETER.
11. TRAVEL: 2.16mm

REV	ECO NO	DESCRIPTION	DATE	BY
A	ECO-103291	RELEASE	03/13/25	JS



OBJECT ID
100129843

TITLE 500SSP2S1M7REA				
SCALE 2:1	DATE 3/11/2025	DR JS	DWG T511073	REV A