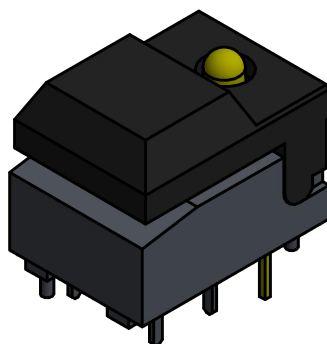
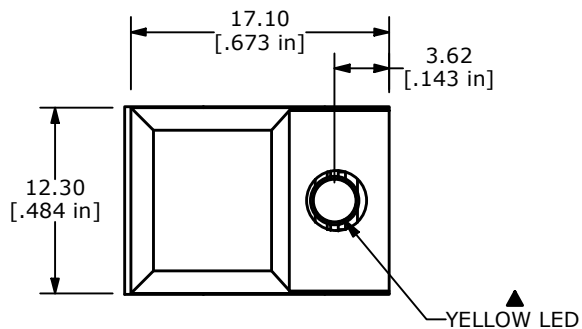
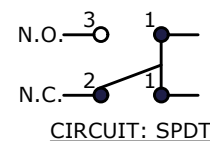
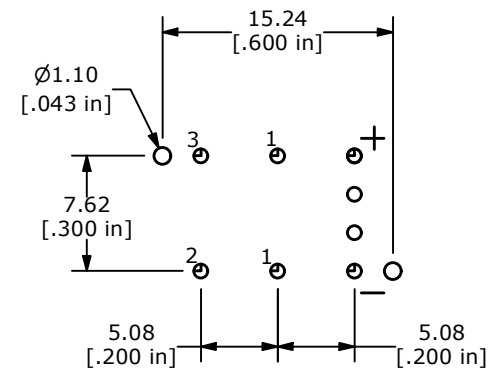
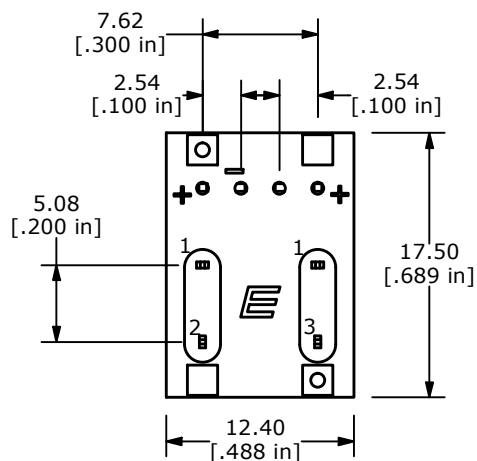
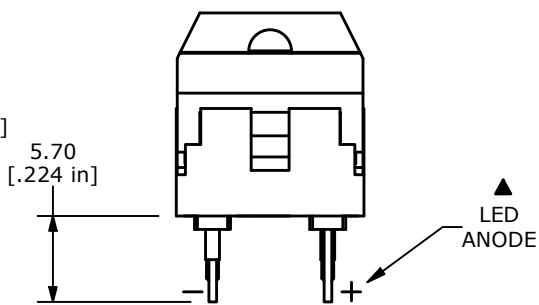
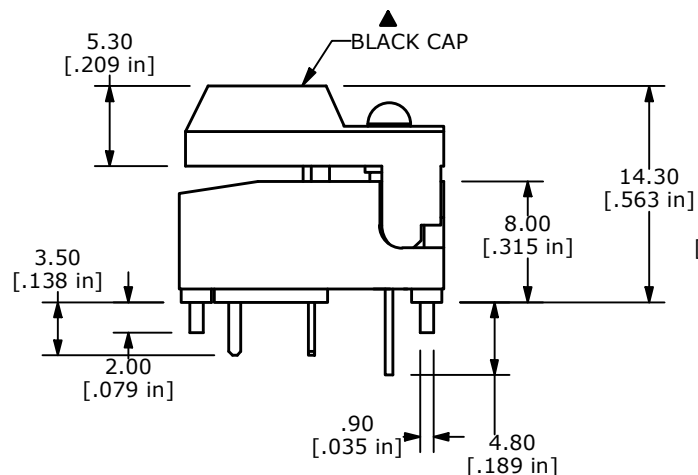


YELLOW LED



PARAMETERS	SYMBOL	MAX.	MIN.	TYP.	UNITS
POWER DISSIPATION	P _D	100	--		mW
FORWARD VOLTAGE	V _F	2.8	1.8	2.1	V
REVERSE VOLTAGE	V _R	5			V
EMISSION WAVELENGTH	λ _P			590	nm
AVE. FORWARD CURRENT	I _{AF}	30	--		mA
LUMINOUS INTENSITY	I _v	5.0		12.0	mcd



NOTE:

1. ALL DIMENSIONS IN MM [INCH]
2. GENERAL TOLERANCE: X.X=±0.4
X.XX=±0.25
3. TERMINAL NUMBERS FOR REF ONLY
4. RATINGS: 12mA @ 12VDC
5. CONTACTS: FIXED AND MOVING:
COPPER ALLOY W/GOLD PLATE
6. OPERATING FORCE: 170 +/- 50 grams
7. OPERATING TRAVEL: 2.5MM ± 0.5MM
8. ▲ DENOTES CRITICAL PARAMETER.
9. OPERATING LIFE: 500,000 CYCLES MIN.
10. CONTACT RESISTANCE: 500HMS MAX (INITIAL)
11. INSULATING RESISTANCE: 100M OHM MIN
12. OPERATING TEMP.: -10°C TO 60°C



TITLE 5501M13

B	21673	RECREATED IN INVENTOR	10/24/14	AS
REV	PCR NO	DESCRIPTION	DATE	BY

THE INFORMATION CONTAINED IN THIS DOCUMENT IS PROPRIETARY TO E-SWITCH AND IS NOT TO BE COPIED OR TRANSFERRED

SCALE	DATE	DR	DWG	REV
1:1	10/24/2014	AS	XR0156P	B