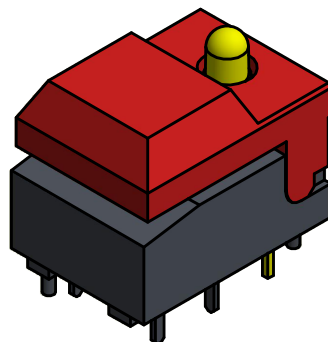
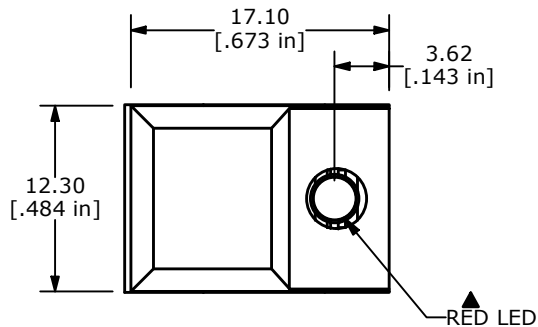
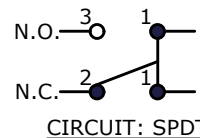
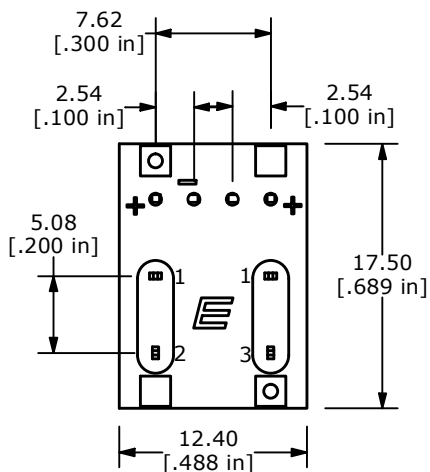
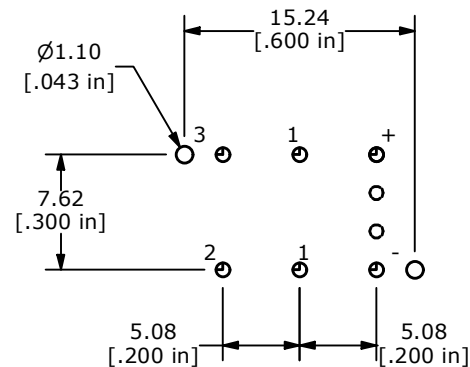
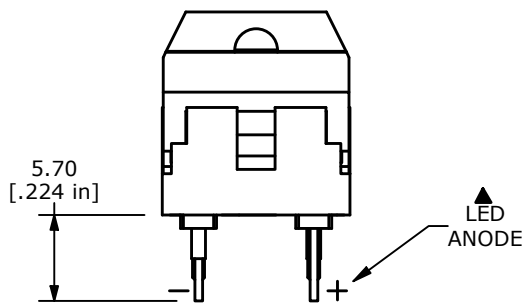
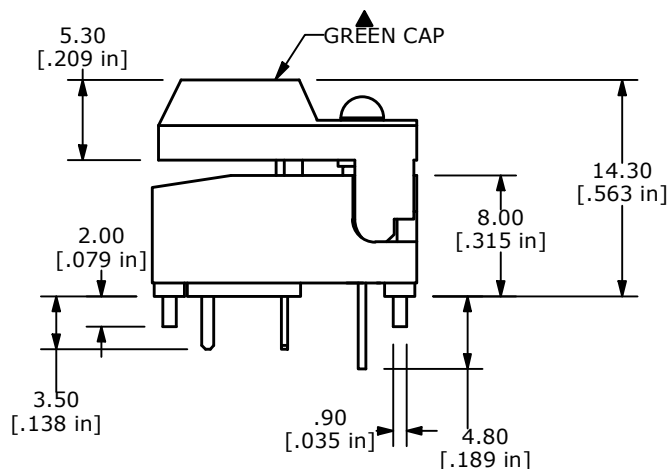


YELLOW LED



PARAMETERS	SYMBOL	MAX.	MIN.	TYP.	UNITS
POWER DISSIPATION	P <sub>D</sub>	100	--		mW
FORWARD VOLTAGE	V <sub>F</sub>	2.8	1.8	2.1	V
REVERSE VOLTAGE	V <sub>R</sub>	5			V
EMISSION WAVELENGTH	λ <sub>P</sub>			590	nm
AVE. FORWARD CURRENT	I <sub>AF</sub>	30	--		mA
LUMINOUS INTENSITY	I <sub>v</sub>	5.0		12.0	mcd



NOTE:

- ALL DIMENSIONS IN MM [INCH]
- GENERAL TOLERANCE: X.X=±0.4  
X.XX=±0.25
- TERMINAL NUMBERS FOR REF ONLY
- RATINGS: 12mA @ 12VDC
- CONTACTS: FIXED AND MOVING:  
COPPER ALLOY W/GOLD PLATE
- OPERATING FORCE: 170 +/- 50 grams
- OPERATING TRAVEL: 2.5MM ± 0.5MM
- ▲ DENOTES CRITICAL PARAMETER.
- OPERATING LIFE: 500,000 CYCLES MIN.
- CONTACT RESISTANCE: 500HMS MAX (INITIAL)
- INSULATING RESISTANCE: 100M OHM MIN
- OPERATING TEMP.: -10°C TO 60°C



TITLE 5501M53

B	21685	RECREATED IN INVENTOR	10/27/14	AS
REV	PCR NO	DESCRIPTION	DATE	BY

THE INFORMATION CONTAINED IN THIS DOCUMENT IS PROPRIETARY TO E-SWITCH AND IS NOT TO BE COPIED OR TRANSFERRED

SCALE 1:1	DATE 10/27/2014	DR AS	DWG XR0208P	REV B
-----------	-----------------	-------	-------------	-------