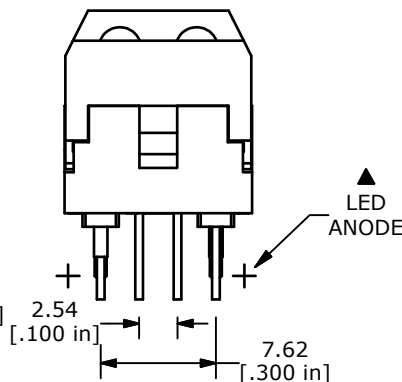
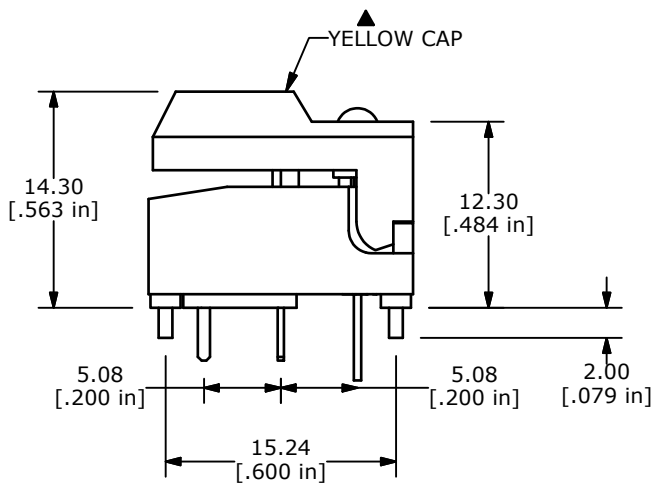


RED LED

| PARAMETERS | SYMBOL | MAX. | MIN. | TYP. | UNITS |
|----------------------|-----------------|------|------|------|-------|
| POWER DISSIPATION | P _D | 80 | -- | | mW |
| AVE FORWARD CURRENT | I _{AF} | 30 | -- | | mA |
| PEAK FORWARD CURRENT | I _{PF} | 80 | -- | | mA |
| FORWARD VOLTAGE | V _F | 2.8 | 1.8 | 2.2 | V |
| REVERSE VOLTAGE | V _R | 5 | -- | | V |
| REVERSE CURRENT | I _R | 100 | -- | | μA |
| EMISSION WAVELENGTH | λ _P | | | 695 | nm |
| LUMINOUS INTENSITY | I _F | | 0.7 | 2.2 | mcd |

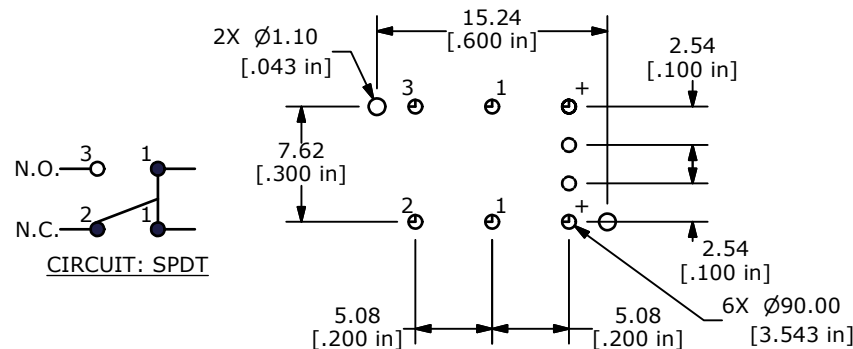
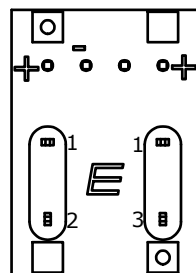


GREEN LED

| PARAMETERS | SYMBOL | MAX. | MIN. | TYP. | UNITS |
|----------------------|-----------------|------|------|------|-------|
| POWER DISSIPATION | P _D | 100 | -- | | mW |
| AVE FORWARD CURRENT | I _{AF} | 30 | -- | | mA |
| PEAK FORWARD CURRENT | I _{PF} | 120 | -- | | mA |
| FORWARD VOLTAGE | V _F | 2.8 | 1.9 | 2.2 | V |
| REVERSE VOLTAGE | V _R | 5 | -- | | V |
| REVERSE CURRENT | I _R | 100 | -- | | μA |
| EMISSION WAVELENGTH | λ _P | | | 570 | nm |
| LUMINOUS INTENSITY | I _F | | 6.0 | 15.0 | mcd |

NOTE:

- ALL DIMENSIONS IN MM [INCH]
- GENERAL TOLERANCE: X.X=±0.4
X.XX=±0.25
- TERMINAL NUMBERS FOR REF ONLY
- RATINGS: 12mA @ 12VDC
- CONTACTS: FIXED AND MOVING:
COPPER ALLOY W/GOLD PLATE
- OPERATING FORCE: 170 +/- 50 grams
- OPERATING TRAVEL: 2.5MM ± 0.5MM
- ▲ DENOTES CRITICAL PARAMETER.
- OPERATING LIFE: 500,000 CYCLES MIN.
- CONTACT RESISTANCE: 500HMS MAX (INITIAL)
- INSULATING RESISTANCE: 100M OHM MIN
- OPERATING TEMP.: -10°C TO 60°C



TITLE 5501MYELREDGRN

| | | | | |
|-----|--------|-----------------------|----------|----|
| B | 21703 | CONVERTED TO INVENTOR | 10/27/14 | AS |
| REV | PCR NO | DESCRIPTION | DATE | BY |

| | | | | |
|-------|------------|----|---------|-----|
| SCALE | DATE | DR | DWG | REV |
| 1:1 | 10/27/2014 | AS | XR0221P | B |

THE INFORMATION CONTAINED IN THIS DOCUMENT IS PROPRIETARY TO E-SWITCH AND IS NOT TO BE COPIED OR TRANSFERRED