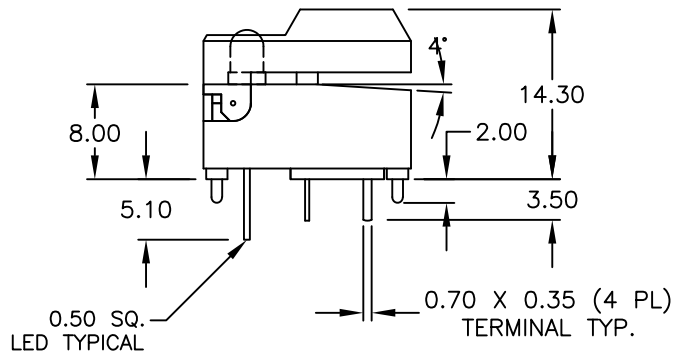
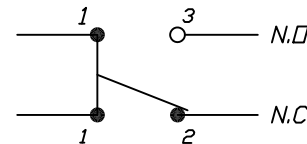
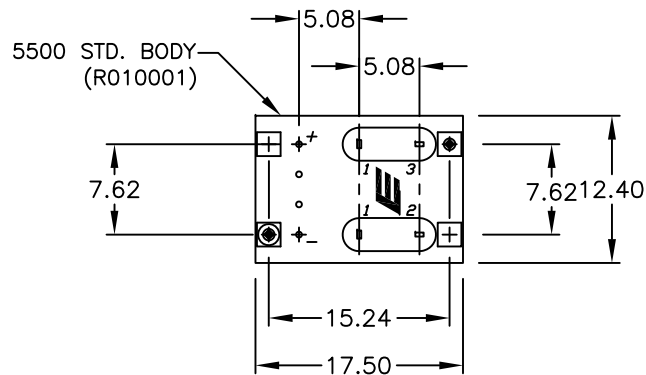


RECOMMENDED P.C.B. LAYOUT



LED SPECIFICATION	SYMBOL	RED L.E.D		UNITS	
		MAX.	MIN.		TYP.
POWER DISSIPATION	P _D	80	--		mW
FORWARD VOLTAGE	V _F	2.8	1.9	2.2	V
REVERSE VOLTAGE	V _R	5			V
EMISSION WAVELENGTH	λ _P			695	nm
AVE. FORWARD CURRENT	I _{AF}	30	--		mA
LUMINOUS INTENSITY	I _v		0.7	22	mcd



CIRCUIT: SPDT CONTACT CONFIGURATION

NOTES:

- ALL DIMENSIONS IN MM
- GENERAL TOLERANCE: X.X=±0.4
X.XX=±0.25
- TERM. NO. FOR REF. ONLY
- RATING: 12mA @24V
- FIXED CONTACT/MOVING CONTACT:
COPPER ALLOY W/GOLD PLATE
- CONTACT BOUNCE: <5m SEC.
- CONTACT RESISTANCE: <50milli-Ω
- TRAVEL: 2.5±0.2mm

E-SWITCH®

TITLE		5511-M-1-1			
SCALE	DATE	DR	DWG	REV	
1.5:1	5/8/02	CJB	XR0157P	E	

E	12151	"+/-" REVISED ON SWITCH	5/14/02	CJB
D	12128	REVISED AND REDRAWN	5/10/02	CJB
REV.	ECN No.	DESCRIPTION	DATE	CHKD

THE INFORMATION CONTAINED IN THIS DOCUMENT IS PROPRIETARY TO E-SWITCH AND IS NOT TO BE COPIED OR TRANSFERRED