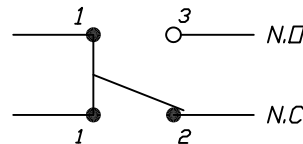
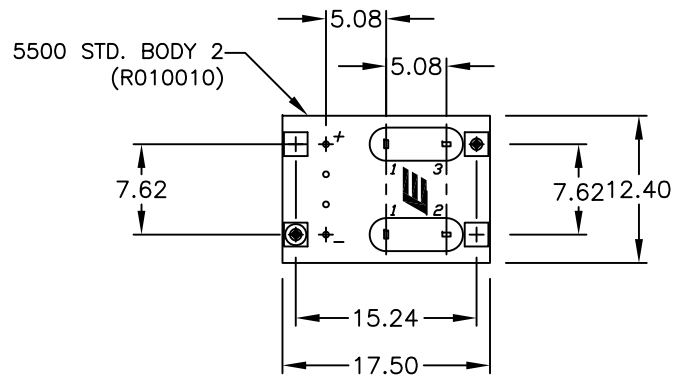
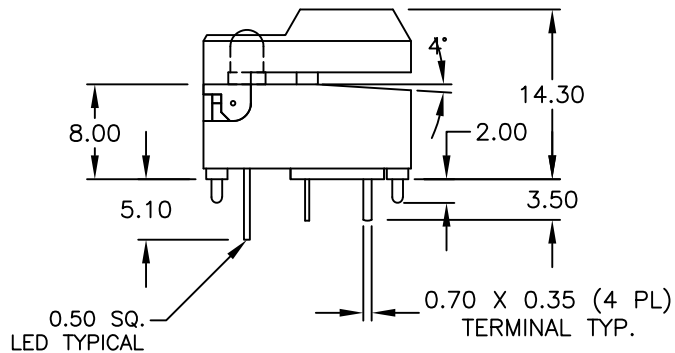


RECOMMENDED P.C.B. LAYOUT



CIRCUIT: SPDT CONTACT CONFIGURATION

LED SPECIFICATION	SYMBOL	GRN L.E.D		UNITS	
		MAX.	MIN.		TYP.
POWER DISSIPATION	P_D	100	--		mW
FORWARD VOLTAGE	V_F	2.8	1.9	2.2	V
REVERSE VOLTAGE	V_R	5			V
EMISSION WAVELENGTH	λ_P			570	nm
AVE. FORWARD CURRENT	I_{AF}	30	--		mA
REVERSE CURRENT	I_R	100	--		μA
LUMINOUS INTENSITY	I_v		6.0	15.0	mcd

NOTES:

1. ALL DIMENSIONS IN MM
2. GENERAL TOLERANCE: $X.X = \pm 0.4$
 $X.XX = \pm 0.25$
3. TERM. NO. FOR REF. ONLY
4. RATING: 12mA @24V
5. FIXED CONTACT/MOVING CONTACT:
COPPER ALLOY W/GOLD PLATE
6. CONTACT BOUNCE: <5m SEC.
7. CONTACT RESISTANCE: <50milli-OHMS
8. TRAVEL: 2.5 ± 0.2 mm
9. OPERATING TEMP. RANGE: $-20^\circ C$ to $+80^\circ C$

E-SWITCH®

TITLE		5511-M-2-2			
SCALE	DATE	DR	DWG	REV	
1.5:1	5/15/02	CJB	XR0175P	A	

A	12153	RELEASED FOR PRODUCTION	5/15/02	CJB
REV.	ECN No.	DESCRIPTION	DATE	CHKD

THE INFORMATION CONTAINED IN THIS DOCUMENT IS PROPRIETARY TO E-SWITCH AND IS NOT TO BE COPIED OR TRANSFERRED