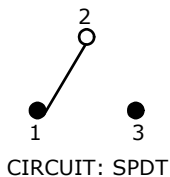


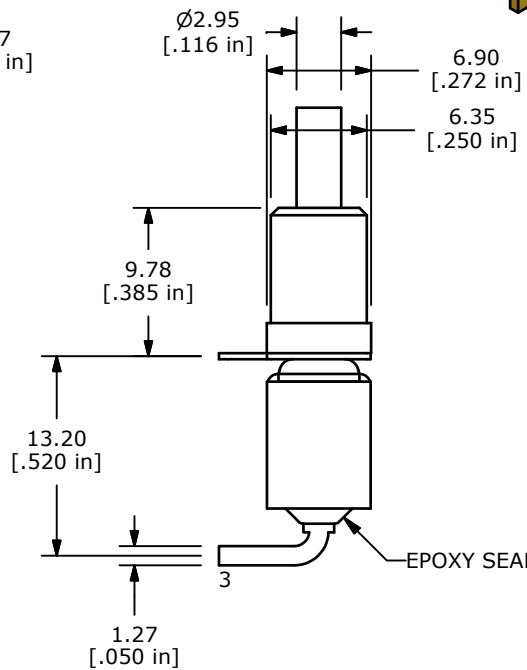
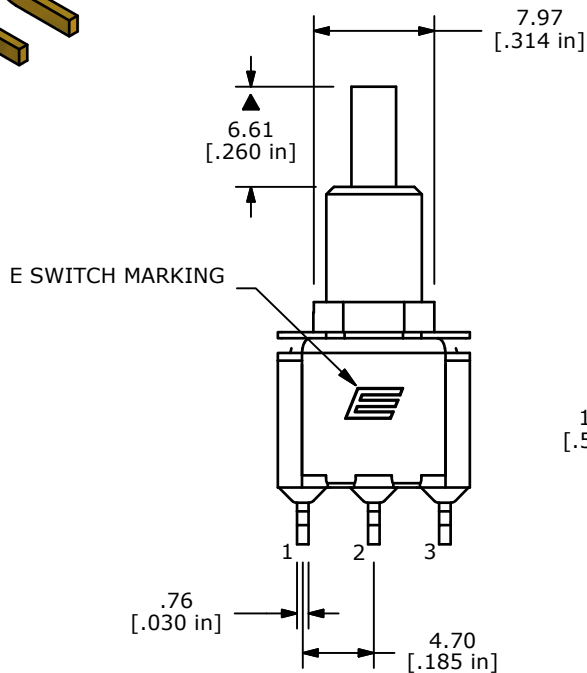
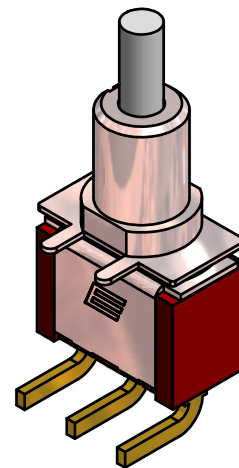
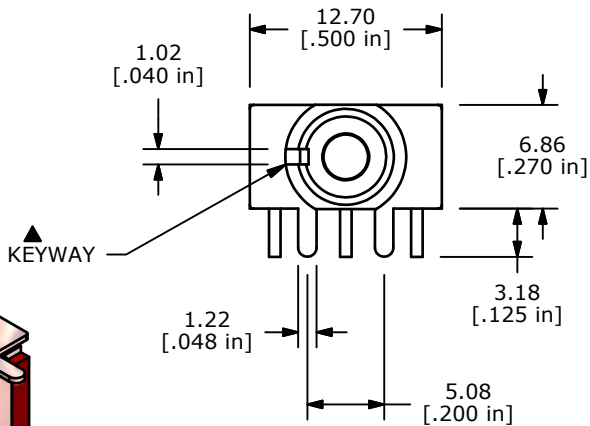
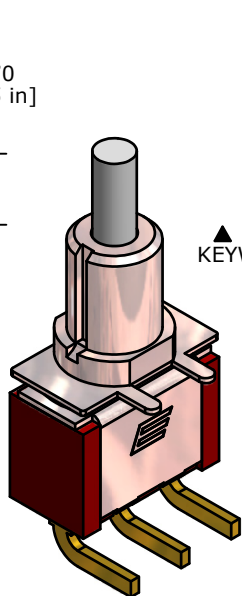
P.C. MOUNTING

SWITCH FUNCTION	
POS. 1	POS. 2
ON	ON
1-2	2-3



NOTE:

1. ALL DIMENSIONS IN MM [INCH]
2. GENERAL TOLERANCE: X.X=±0.4
X.XX=±0.25
3. TERMINAL NUMBERS FOR REF ONLY
- ▲4. PLATING MATERIAL: GOLD
5. RATING: 0.4VA MAX. @20V MAX. AC OR DC
6. ELECTRIC LIFE: 50,000 MAKE-AND-BREAK CYCLES.
7. INSULATION RESISTANCE: 1,000 MEGA-OHM MIN.
8. DIELECTRIC STRENGTH: 1,000 V RMS @SEA LEVEL.
9. OPERATING TEMP.: -30°C to 85°C
10. ▲ DENOTES CRITICAL PARAMETER.
11. 2002/95/EC (ROHS) COMPLIANT
12. PACKAGE: TRAY/ 108 PIECES PER



C	21567	Revised "E" logo position	9/4/14	rc
B	21546	UPDATE DRAWING	8/11/14	EBP
A	21058	New Release	3/6/13	rc
REV	PCR NO	DESCRIPTION	DATE	BY

THE INFORMATION CONTAINED IN THIS DOCUMENT IS PROPRIETARY TO E-SWITCH AND IS NOT TO BE COPIED OR TRANSFERRED



TITLE 700CSP7B70M6RE				
SCALE 2:1	DATE 3/6/2013	DR rc	DWG T711088	REV C