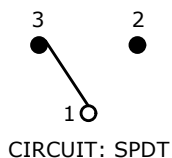


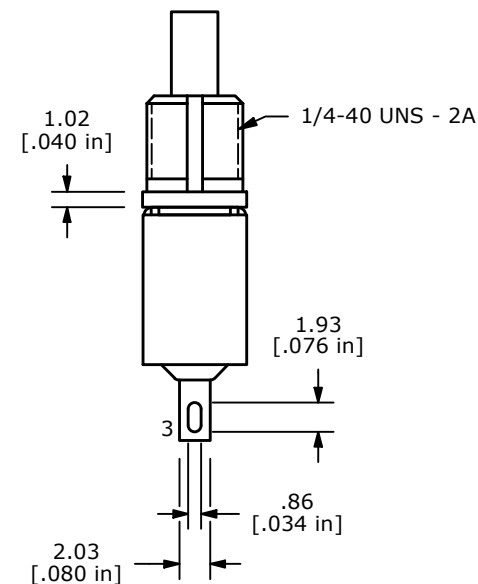
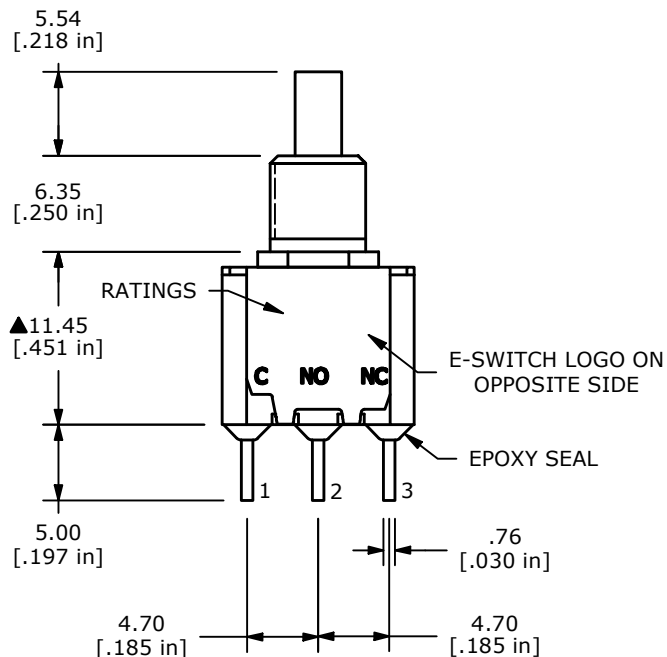
SWITCH FUNCTION	
POS. 1	POS. 2
ON	(ON)
1-3	1-2

(ON)=MOMENTARY



NOTE:

- ALL DIMENSIONS IN MM [INCH]
- GENERAL TOLERANCE: X.X=±0.4  
X.XX=±0.25
- TERMINAL NUMBERS FOR REF ONLY
- CONTACT MATERIAL: SILVER
- RATING: 3A @ 120 VAC OR 28 VDC  
1A @ 250 VAC
- ELECTRICAL LIFE: 6,000 MAKE-AND-BREAK CYCLES AT FULL LOAD
- MECHANICAL 50,000 CYCLES
- INSULATION RESISTANCE: 1,000 MΩ MIN.
- ACTUATION FORCE: 350 ± 150gf
- TRAVEL: 1.0 ± 0.2mm
- CONTACT RESISTANCE: 20 mΩ MAX.  
TYPICAL @ 2-4 VDC
- DIELECTRIC STRENGTH: 1,000 V RMS @ SEA LEVEL.
- OPERATING TEMP.: -40°C to 85°C
- ▲ DENOTES CRITICAL PARAMETER.
- HARDWARE TO BE SHIPPED BULK  
T100000 - HEXNUT - QTY 2  
T100011 - LOCKWASHER - QTY 1  
T100015 - LOCKRING - QTY 1



REV	ECO NO	DESCRIPTION	DATE	BY
D	ECO-102650	700 SERIES UPDATE	06/20/24	JS



OBJECT ID  
000023337

TITLE 700SP7B10M1QEH				
SCALE 2:1	DATE 9/11/2006	DR BO	DWG ST711000	REV D