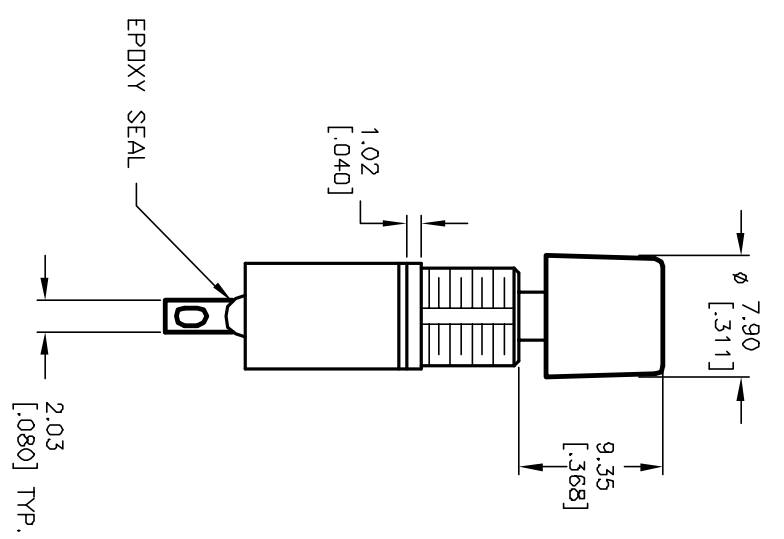
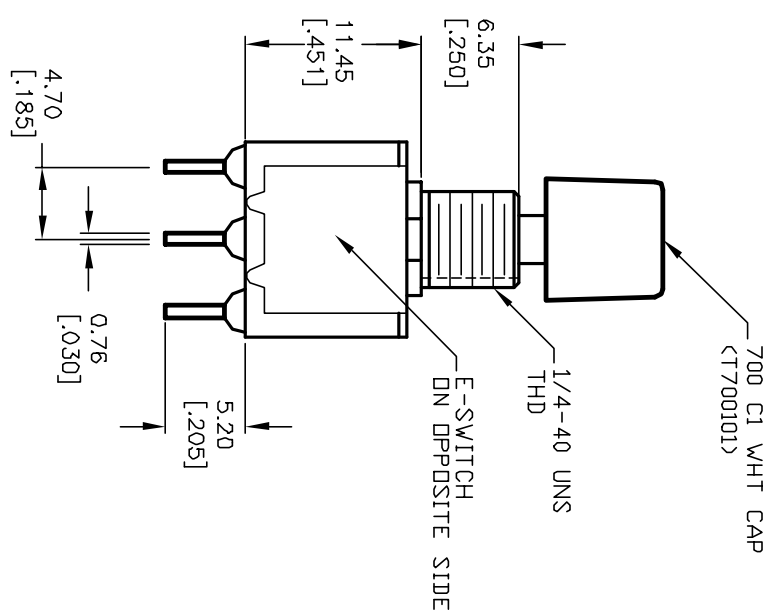
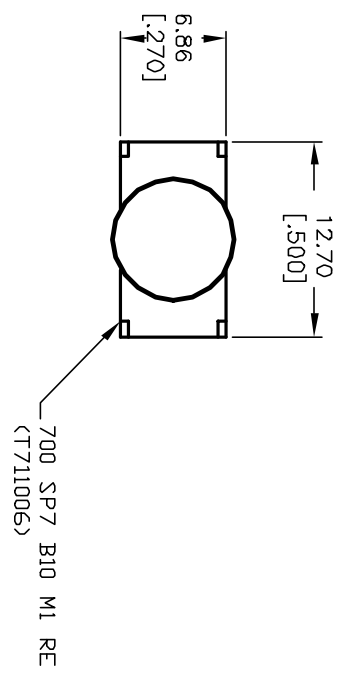


CIRCUIT: SPDT

| SWITCH FUNCTION | |
|-----------------|------|
| DN | <DN> |
| 1-3 | 1-2 |

< > = MOMENTARY

- NOTES:
1. ALL DIMENSIONS IN MM [INCH]
 2. GENERAL TOLERANCE: X.X=±0.4
X.XX=±0.25
 3. TERM. NOS. FOR REF. ONLY
 4. RATING: 0.4VA @20VAC or DC max.
 5. FIXED TERM. & MOVING CONTACT:
Copper Alloy w/Gold plate
 6. CONTACT RESISTANCE: 10mILLI-ohms initial
@2-4VDC
 7. ELECTRICAL LIFE: 50,000 make-and-break
cycles at full load.
 8. INSULATION RESISTANCE: 1,000M ohm min.
 9. DIELECTRIC STRENGTH: 1000V RMS @sea level
 10. OPERATING TEMP.: -30°C to 85°C



| REV. | ECN No. | DESCRIPTION | DATE | CHKD |
|------|---------|-------------------------|---------|------|
| A | 11611 | RELEASED FOR PRODUCTION | 8/10/01 | CJB |

| TITLE | SCALE | DATE | DR | DWG | REV |
|----------------------------------|-------|---------|-----|---------|-----|
| 700 SP-7 B10 M1 R E (C1 WHT CAP) | 2:1 | 8/10/01 | CJB | XT00884 | A |

E-SWITCH®

THE INFORMATION CONTAINED IN THIS DOCUMENT IS PROPRIETARY TO E-SWITCH AND IS NOT TO BE COPIED OR TRANSFERRED