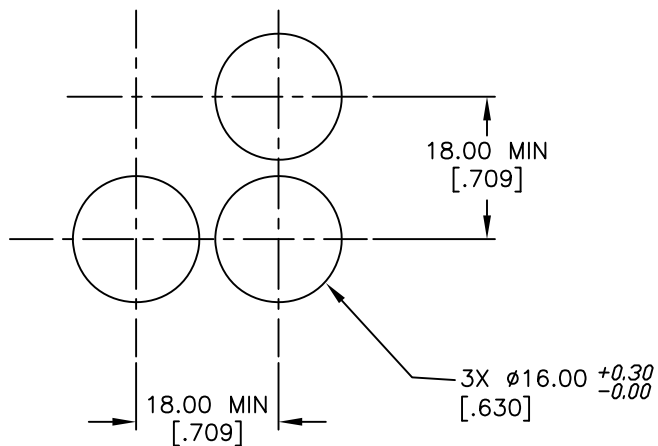
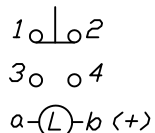


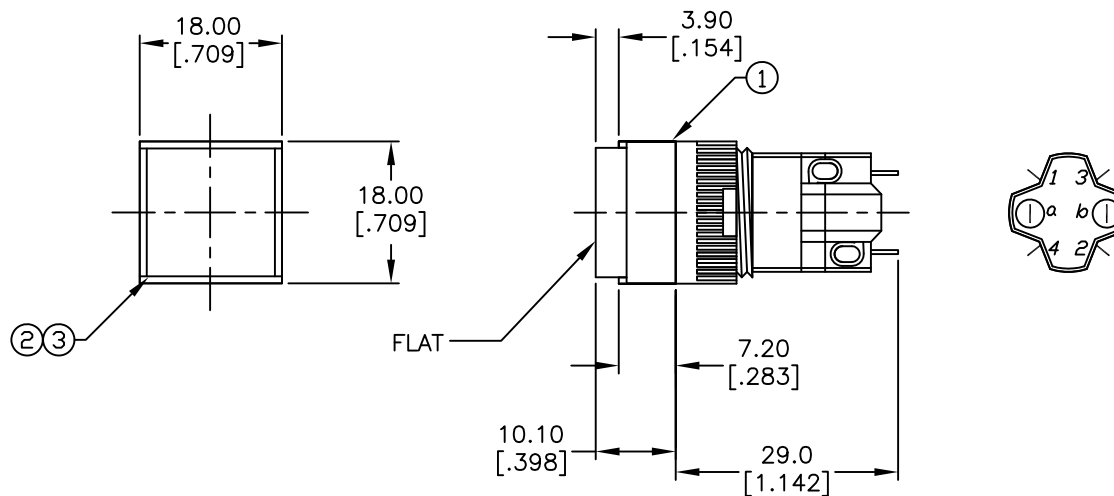
ITEM	QTY.	PART NO.	PART DESCRIPTION
1	1	F040008	D16 OA S11
2	1	F050418	50-004-18 (YELLOW LED)
3	1	F050315	50-003-15 (WHT TRANSPARENT)



RECOMMENDED
PANEL MOUNTING



CONTACT CONFIGURATION



NOTES:

1. ALL DIMENSIONS IN MM [INCH]
2. GENERAL TOLERANCE: X.X=±0.4
X.XX=±0.25
3. TERM. NOS. FOR REFERENCE ONLY.
4. RATINGS: 5A@250V AC/ 8A@125V AC
5. TRAVEL: 3.0MM
6. MECHANICAL LIFETIME: > 2 MILLION OPERATIONS
7. LAMP VOLTAGE: 6V DC

E-SWITCH®

TITLE					D16 OA S11 H YEL WHT (MOMENTARY)				
SCALE	DATE	DR	DWG	REV					
1.5:1	4/15/02	CJC	XF0440P	A					

A	12062	RELEASED FOR PRODUCTION	4/15/02	CJC
REV.	ECN No.	DESCRIPTION	DATE	CHKD
THE INFORMATION CONTAINED IN THIS DOCUMENT IS PROPRIETARY TO E-SWITCH AND IS NOT TO BE COPIED OR TRANSFERRED				