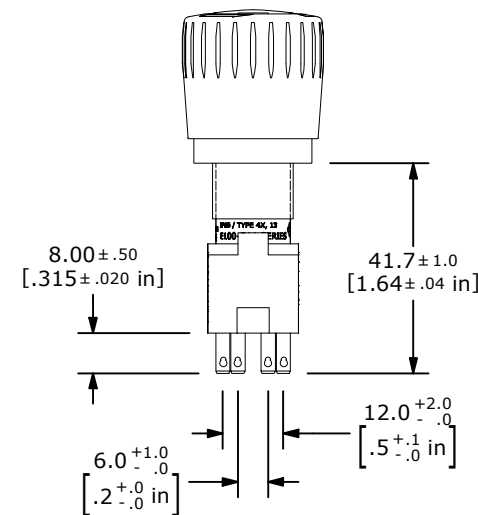
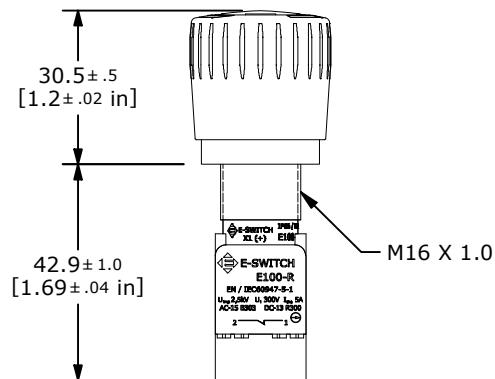
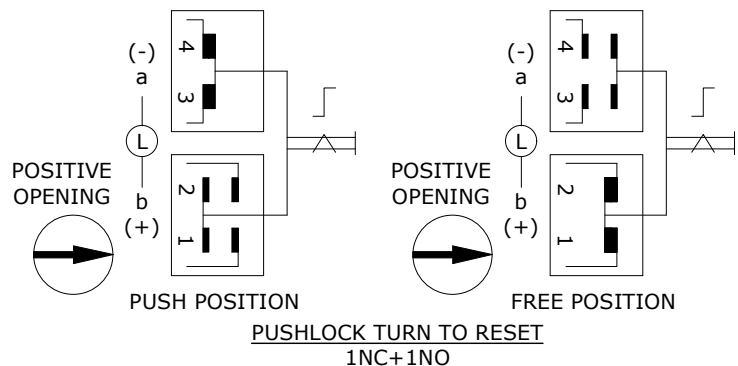
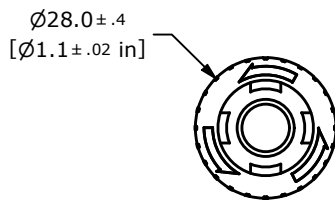
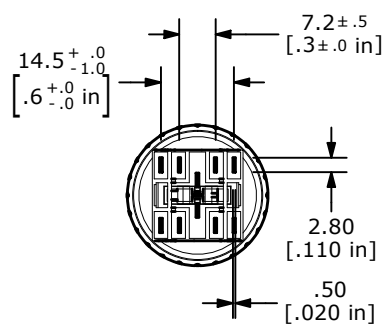


RECOMMENDED PANEL CUTOUT  
MAX. PANEL THICKNESS 5mm



SIDE VIEW SHOWN  
WITHOUT TERMINAL SHROUD



BOTTOM VIEW SHOWN  
WITHOUT SHROUD ACTUATOR

- NOTE:
1. DIMENSIONS IN MM [INCH]
  2. GENERAL TOLERANCE: X.X = ± 0.4  
X.XX = ± 0.25
  3. TERMINAL NUMBERS FOR REF ONLY
  4. CONTACT RATINGS: 3A @ 125VAC, 1.5A @ 250VAC  
0.22A @ 24VDC, 0.11A @ 250VDC
  5. AGENCY APPROVALS: TUV, EN 60947-5-1 : EN 60947-5-5
  6. CONTACT RESISTANCE: 50mΩ MAX. (INITIAL)
  7. INSULATION RESISTANCE: 100MΩ MIN. @ 500VDC
  8. DIELECTRIC STRENGTH: 1,500VAC FOR 1 MINUTE
  9. ELECTRICAL LIFE: 50,000 CYCLES
  10. MECHANICAL LIFE: 100,000 CYCLES
  11. OPERATING TEMPERATURE: -25°C TO 55°C
  12. ▲ DENOTES CRITICAL PARAMETER
  - ▲ 13. ILLUMINATION VOLTAGE: 20mA 24V
  14. HARDWARE INCLUDED (NOT SHOWN): 1 GASKET, 1 EMERGENCY STOP ID PLATE, & 1 MOUNTING RING

REV	ECO NO	DESCRIPTION	DATE	BY
B	ECO-102018	E100 TITLE UPDATES	09/28/23	MR
A	ECO-101529	NEW RELEASE	02/27/23	MR



OBJECT ID  
100123342

TITLE E100-R11-H1KR		SCALE 2:3	DATE 2/22/2023	DR MJR	DWG F011000	REV B
------------------------	--	--------------	-------------------	-----------	----------------	----------