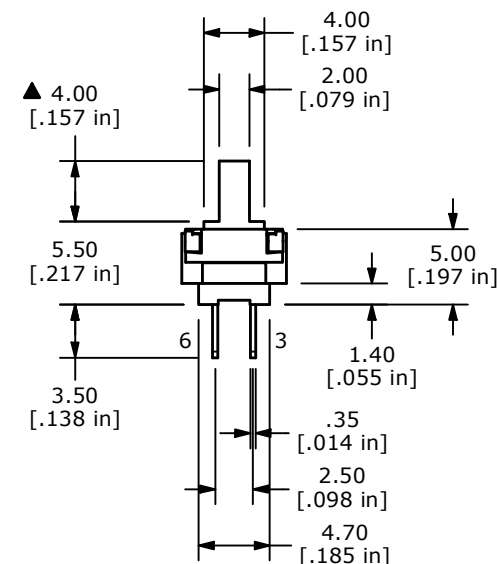
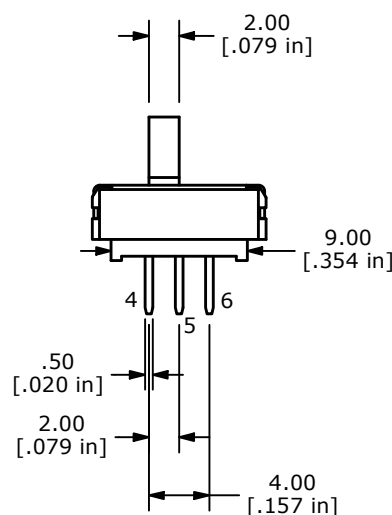
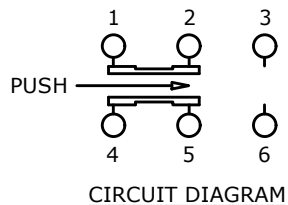


SWITCH FUNCTION	
POS. 1	POS. 2
ON	ON
2-1, 5-4	2-3, 5-6



NOTES:

1. ALL DIMENSIONS IN MM
2. GENERAL TOLERANCE: X.X = ± 0.4  
X.XX = ± 0.25
3. TERM. NUMBERS FOR REFERENCE ONLY.
4. CONTACT RATING: 0.1A @ 12VDC
5. TRAVEL: 2.0mm
6. OPERATING FORCE: 450 ± 100gf
7. OPERATING TEMP.: -20C to 70C
8. ▲ DENOTES CRITICAL PARAMETER

REV	ECO NO	DESCRIPTION	DATE	BY
C	ECO-103262	update print	03/03/25	MW



OBJECT ID  
000019564

TITLE EG2209A				
SCALE	DATE	DR	DWG	REV
2:1	7/19/1994	MM	P040121	C