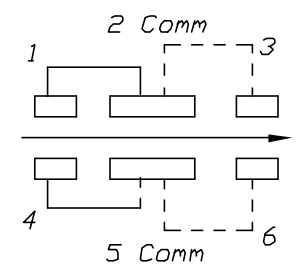
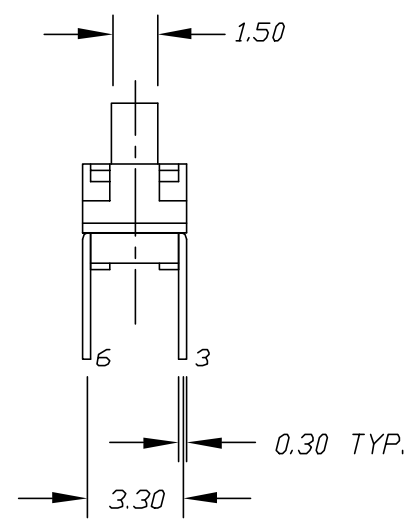
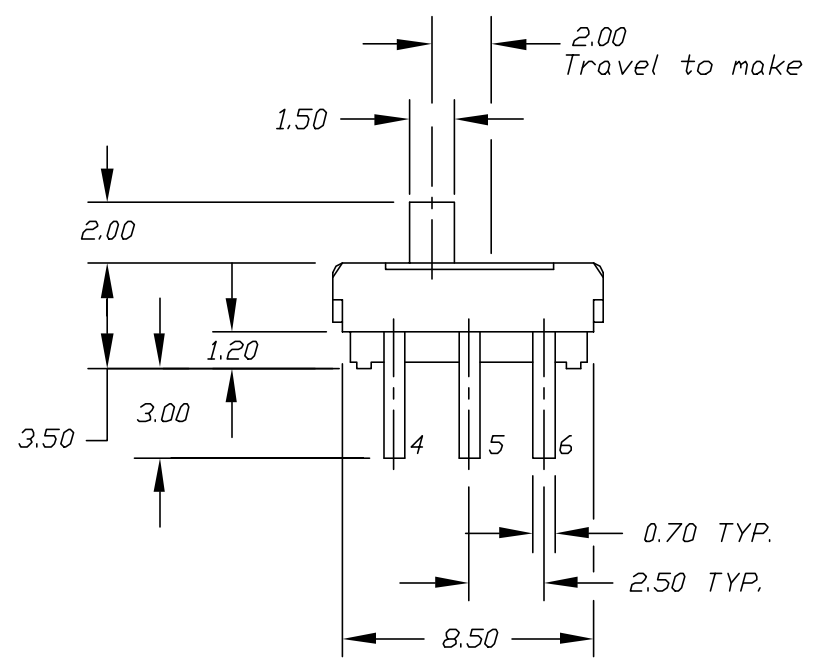


RECOMMEND P.C.B. HOLES



CIRCUIT: DPDT

CONTACT CONFIGURATION

NOTES:

1. ALL DIMENSIONS IN MM
2. TERM. NOS. FOR REF ONLY
3. RATING: DC 6V, 0.3A
4. OPERATING FORCE: 200±150gf

				<b>E-SWITCH®</b>				
				TITLE EG 2271				
REV.	DESCRIPTION	DATE	CHKD	SCALE	DATE	DR	DWG	REV
A	RELEASED FOR PRODUCTION			4:1	5/19/97	MM	P122710	A
<small>THE INFORMATION CONTAINED IN THIS DOCUMENT IS PROPRIETARY TO E-SWITCH AND IS NOT TO BE COPIED OR TRANSFERRED</small>				TOLERANCES	0.0	±0.4	0.00	±0.25