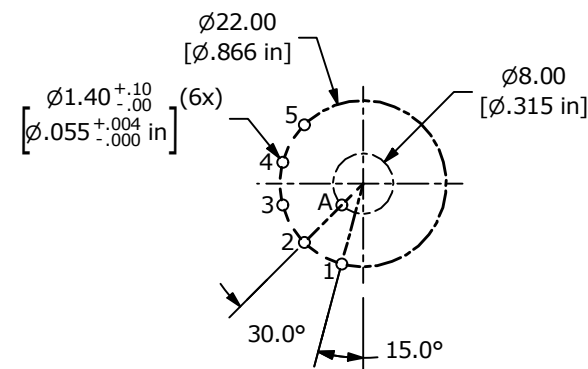


- NOTE:**
1. ALL DIMENSIONS IN MM[INCH].
 2. GENERAL TOLERANCE: X.X = ± 0.4
X.XX = ± 0.25
 3. TERM. NOS. FOR REFERENCE ONLY.
 - ▲ 4. CONTACT MATERIAL: GOLD FLASH
 5. CONTACT RATING: 150MILLIAMP, 250VAC/DC
350MILLIAMP, 110VAC/DC
 6. CONTACT RATING (NON-SWITCHING) 5A
 7. OPERATING FORCE 800 ± 300gf-cm
 8. OPERATING TEMP: -30°C to 85°C
 - ▲ 9. CIRCUIT SP: 5 POSITION 30° INDEX.
 10. DIELECTRIC STRENGTH: 1000V RMS MIN.@ SEA LEVEL
 - ▲ 11. HARDWARE SUPPLIED ON SWITCH:
STOP RING, LOCKWASHER and HEXNUT
 12. ▲ DENOTES CRITICAL PARAMETER.



RECOMMENDED PCB LAYOUT

REV	ECO NO	DESCRIPTION	DATE	BY	E-SWITCH®			OBJECT ID	
C	ECO-101206	print update	08/29/22	MW	TITLE KC15A9.501NPF			000012507	
THE INFORMATION CONTAINED IN THIS DOCUMENT IS PROPRIETARY TO E-SWITCH AND IS NOT TO BE COPIED OR TRANSFERRED					SCALE	DATE	DR	DWG	REV
					3:2	9/1/2004	AR	G510602	C