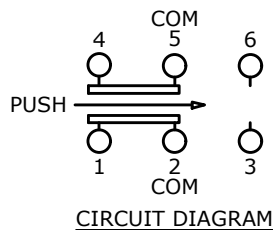
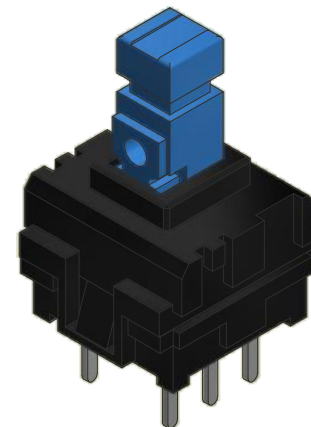
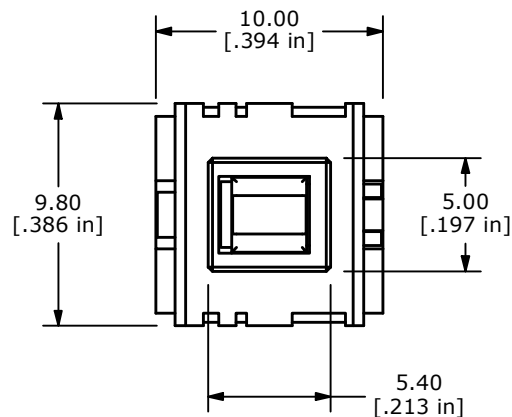


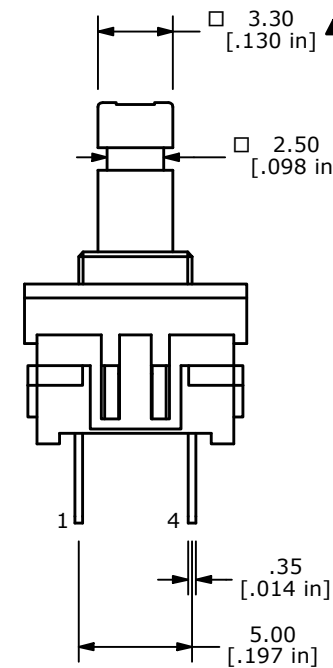
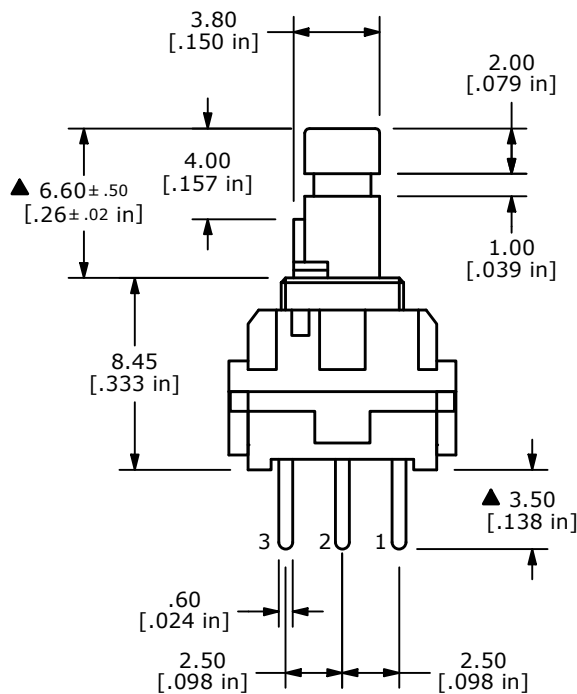
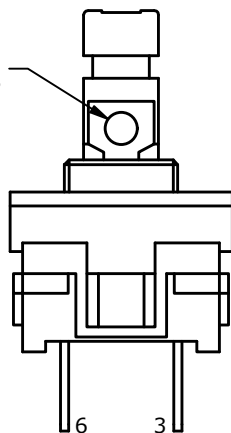
P.C.B. LAYOUT

SWITCH FUNCTION	
POS. 1	POS. 2
ON	ON
2-1, 5-4	2-3, 5-6



CIRCUIT DIAGRAM

HOLE USED TO IDENTIFY TERMINALS



NOTE:

1. ALL DIMENSIONS IN mm [INCH]
2. GENERAL TOLERANCE: x.x = ±0.4
x.xx = ± 0.25
3. TERMINAL NUMBERS FOR REF. ONLY
- ▲ 4. CONTACT RATING: 0.1A @ 30 VDC
5. TRAVEL: FULL = 1.8mm; LOCKING = 1.2mm
- ▲ 6. OPERATING FORCE: 250 ±100gf
7. ELECTRICAL LIFE: 10,000 CYCLES
8. CONTACT RESISTANCE: 30mΩ MAX.
9. ▲ DENOTES CRITICAL PARAMETER
10. CONTACT MATERIAL: SILVER



C	24304	note 4 to 250 +/-100	5/12/20	MW
B	21131	Re-Release Part Number	5/16/13	rc
REV	PCR NO	DESCRIPTION	DATE	BY

TITLE JN2UEENAGX				
SCALE 3:1	DATE 5/16/2013	DR rc	DWG P200001	REV C

THE INFORMATION CONTAINED IN THIS DOCUMENT IS PROPRIETARY TO E-SWITCH AND IS NOT TO BE COPIED OR TRANSFERRED